

INSTALLATION INSTRUCTION

12VAC LANDSCAPE TAPE



SAFETY INSTRUCTION

IMPORTANT: NEVER attempt any work without shutting off the electricity.

- Always turn off power at fuse box prior to installation to prevent electrical shock.
- Intended for outdoor use, damp and wet locations are permitted. IP66 rated
- Install in accordance with national electric code, and local regulations.
- Consult with local inspector to assure compliance.
- Do not submerge, or install an outdoor tape in a swimming pool.
- Do not connect the tape directly to high voltage power
- Determine the installation area and material, based on different mounting materials (wood or concrete), different mounting accessories will be needed.

CAUTION – TO REDUCE RISK OF FIRE AND ELECTRICAL SHOCK

- Read all instructions before installing.
- Handle product with care.
- To reduce the risk of fire and burns, do not install this lighting system where the exposed bare conductors can be shorted or contact any conductive materials
- To reduce the risk of overheating and potential fire risk, make sure all connections are tight.
- Do not modify or disassemble product beyond instructions or warranty will be void.
- Failure to follow safety warnings, and installation instruction will void the warranty

ATTENTION - AFIN DE RÉDUIRE LES RISQUES D'INCENDIE ET DE CHOC ÉLECTRIQUE

- Lire toutes les instructions avant d'installer.
- Manipuler le produit avec soin.
- Afin de réduire les risques d'incendie et de brûlures, ne pas installer ce système d'éclairage là où les conducteurs dénudés peuvent être court-circuités, ou entrer en contact avec des matériaux conducteurs.
- Afin de réduire le risque de surchauffe et d'incendie potentiel, s'assurer que toutes les connexions sont bien serrées.
- Ne pas modifier ou démonter le produit au-delà des instructions sous peine d'annuler la garantie.
- Ne pas respecter les avertissements de sécurité et des instructions d'installation annulera la garantie.

WIRING AND INSTALLATION:

1. Determine maximum run length based on tape power consumption.

Tape Input Voltage	12VAC
Power Consumption	1.5 W/ft

Total Length of Lead Wire Between Magnetic Transformer to Tape	Max Run Length
	Magnetic Transformer with 5A Fuse Cable
6 FT	37ft
9 FT	37ft
12 FT	27ft
18 FT	18ft
24 FT	13ft
30 FT	10ft
40 FT	8ft

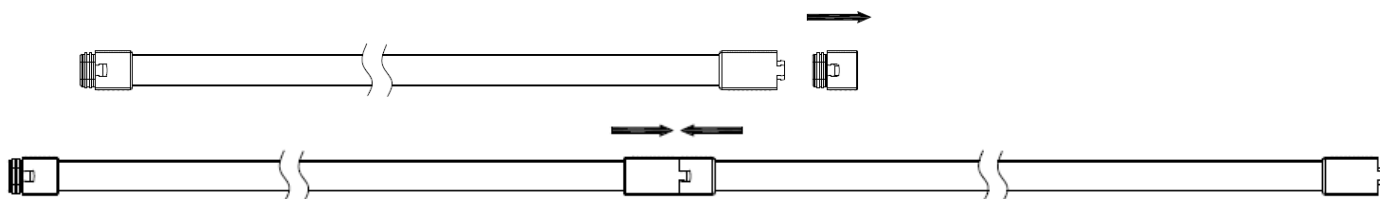
2. Measure the length of each run and round it off to the nearest 1-foot interval. Determine the necessary quantities of 1ft, 5ft, 10ft, 20ft, and 35ft sections.
3. Count the number turns in the runs to determine the number of X, and Y connectors.
4. If making lateral turns at angles other than 90°, determine the number of joiner cables necessary to make the lateral adjustment.
5. Connect Landscape Magnetic Transformer (9075-TRN-SS / 9150-TRN-SS / 9300-TRN-SS / 9600-TRN-SS) to incoming 120VAC supply.
6. Connect the output female connector of the lead wire with 5A fuse (8002-06WT / 8002-10WT) with the male connector of the 12VAC Landscape tape or lead wires, to form straight lines or turns around the installation surface.
Insert the male and female connectors together in a straight alignment to prevent bending of conductor pins and potential loss of connectivity.
7. Connect the lead wire with 5A fuse to landscape magnetic transformer.

INSTALLATION INSTRUCTION

12VAC LANDSCAPE TAPE



8. The sealed end caps of each 12VAC Landscape tape can be removed to open a connection, allowing you to connect it to another outdoor tape.

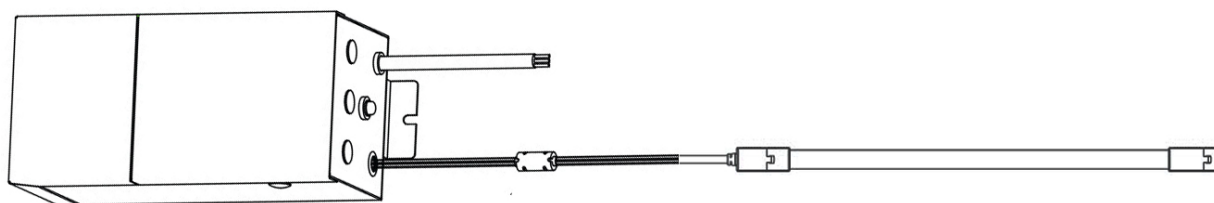


9. Joiner Cable may be used to extend connection between Transformer to Landscape tape or between Landscape tape.



10. 12V Landscape tape LED sections may be cut at every 2-inch interval.
 11. Terminate each separately powered run with an end cap. Install the end cap with silicon for water tight.

EXAMPLE INSTALLATION



Magnetic Transformer

9075-TRN-SS
 9150-TRN-SS
 9300-TRN-SS
 9600-TRN-SS

Lead wire with 5A fuse

8002-06WT
 8002-10WT

12VAC Landscape Tape

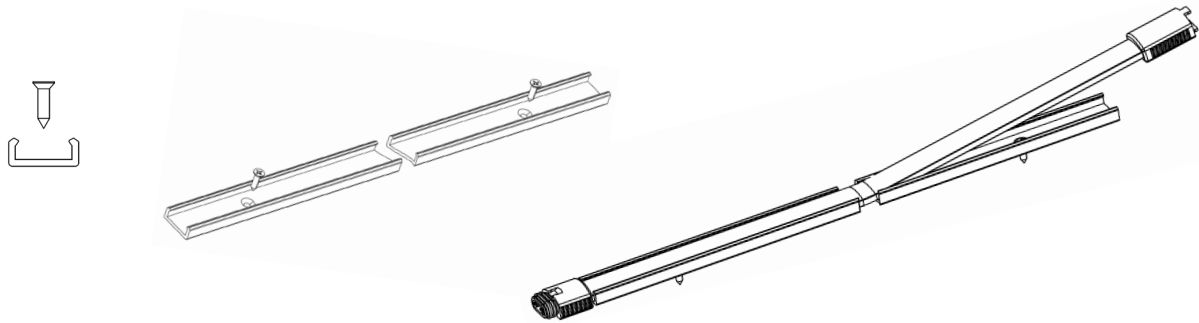
INSTALLATION INSTRUCTION

12VAC LANDSCAPE TAPE

WAC

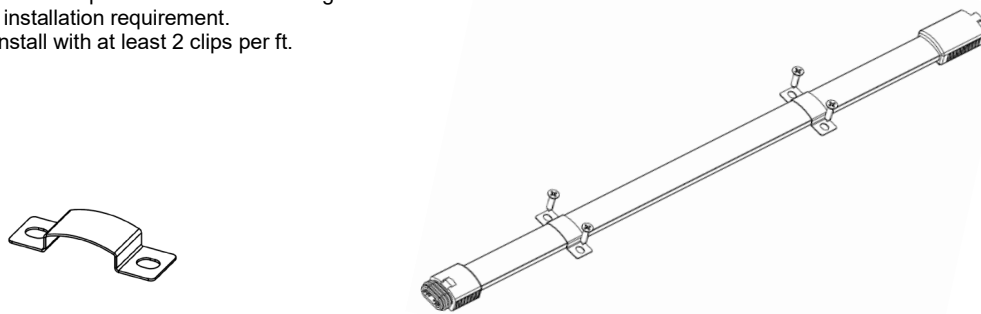
A. USING INSTALLATION CHANNEL – flat surface, example: wood

To securely mount the light strip, use a plastic channel of the same length on a flat surface. The 5-foot channel comes with 6 pre-drilled holes and screws. Use more than 2 screws, up to 6, for maximum stability.



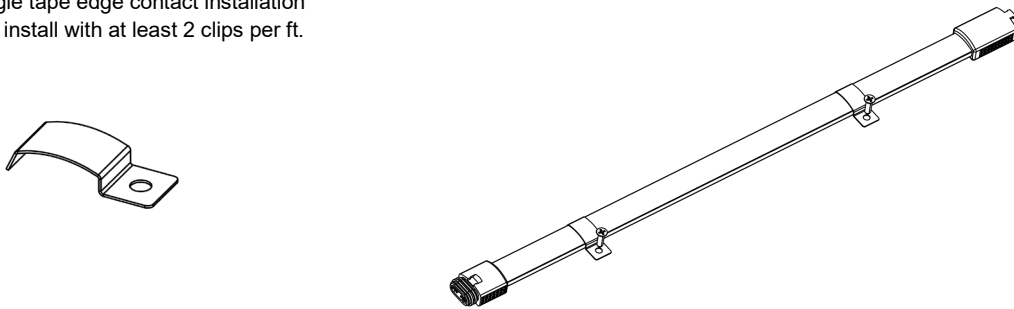
B. USING CLIP 1

- Suitable for non-flat installation surface, wood, or concrete.
- Installation surface have space for the two mounting screw holes.
- No edge contact installation requirement.
- Recommend to install with at least 2 clips per ft.



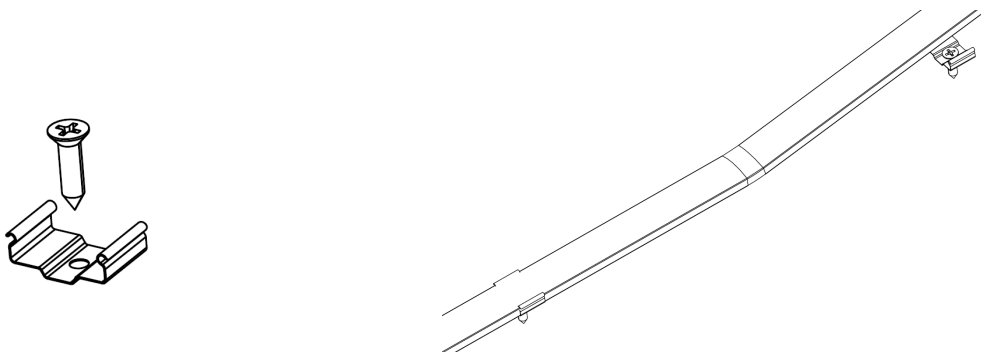
C. USING CLIP 2

- Suitable for non-flat installation surface, wood, or concrete material applicable
- Suitable for single tape edge contact installation
- Recommend to install with at least 2 clips per ft.



D. USING CLIP 3

- Suitable for non-flat installation surface, wood, or concrete material applicable
- Suitable for double tape edge contact installation.
- Recommend to install with at least 2 clips per ft.



Waclighting.com
Phone (800) 526.2588
Fax (800) 526.2585

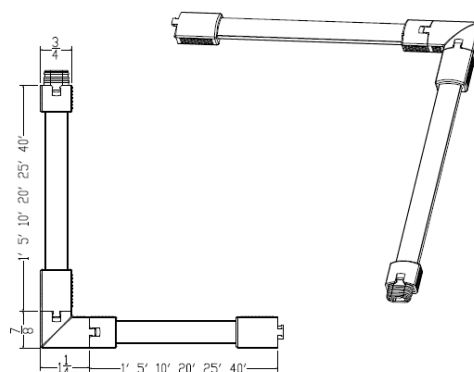
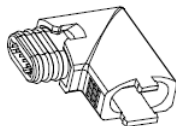
Headquarters/Eastern Distribution Center
44 Harbor Park Drive
Port Washington, NY 11050

Central Distribution Center
1600 Distribution Ct
Lithia Springs, GA 30122

Western Distribution Center
1750 Archibald Ave
Ontario, CA 91761

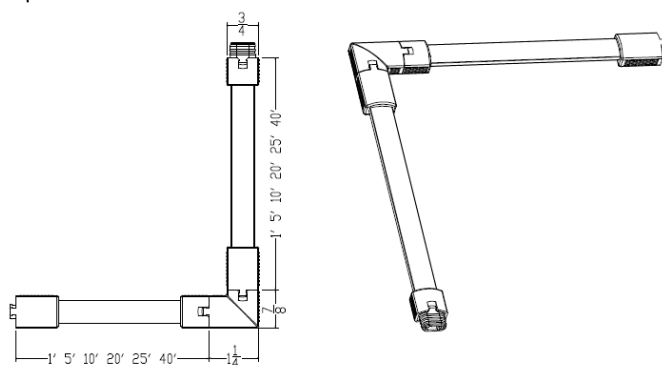
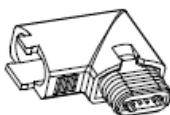
E. USING "L" CONNECTOR

- Suitable for 90-degree angle corner connection between outdoor tapes.



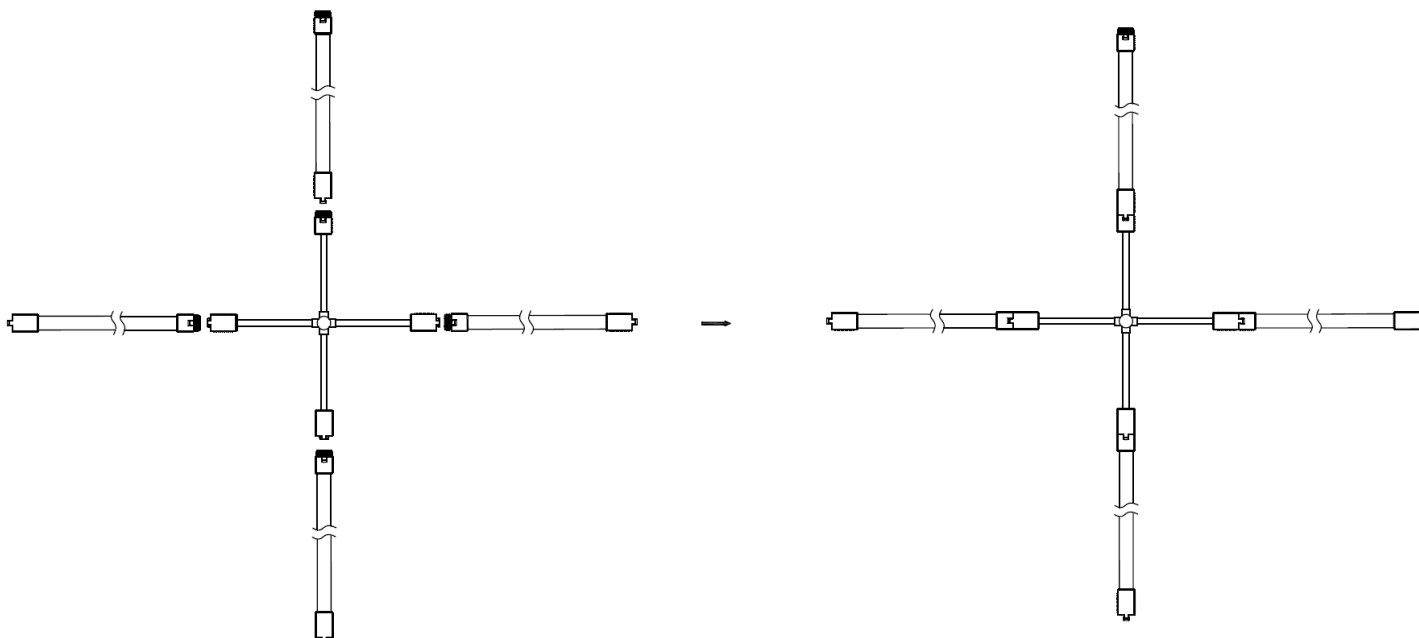
F. USING "J" CONNECTOR

- Suitable for 90-degree angle corner connection between outdoor tapes.



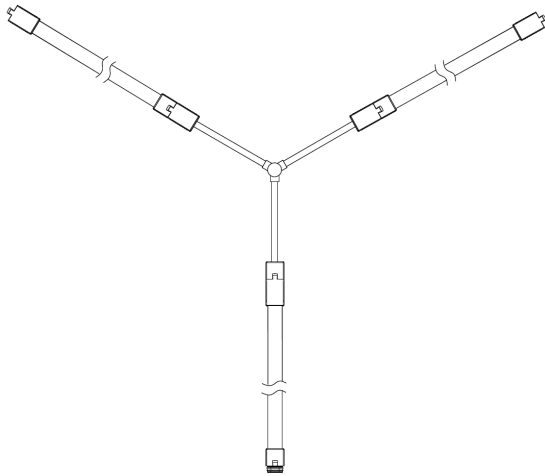
G. USING "X" CONNECTOR

- Suitable for 4 ways connection between outdoor tapes.



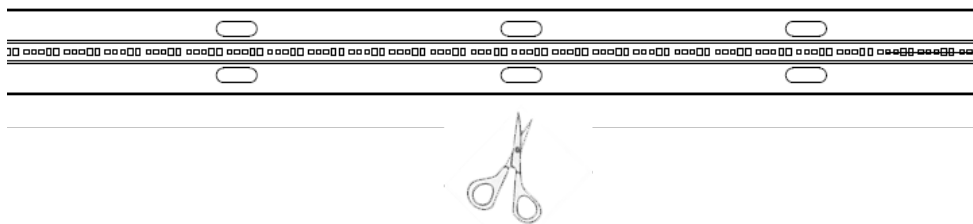
H. USING "Y" CONNECTOR

- Suitable for 3 ways connection between outdoor tapes.



I. USING END CAP

- The tape should only be cut at the designated cutting sections, marked every 2 inches. Cutting outside these sections may damage the LED tape in that area. To maintain the product's integrity, cuts must be made precisely at the marked sections.



To terminate each run and protect against contaminants, seal the cut end with silicone after attaching the end cap.

