

INSTALLATION & FUNCTIONAL INSTRUCTION

Linear RGBWW Controller

915CS-CTR-WT



SAFETY INSTRUCTION

IMPORTANT: NEVER attempt any work without shutting off the electricity.

- Always turn off power at fuse box prior to installation to prevent electrical shock.
- Intended for indoor and outdoor use.
- Install in accordance with national electric code, and local regulations.
- Consult with local inspector to assure compliance.
- Do not submerge, IP65 wet rated.
- Do not connect the unit directly to 120V AC Line
- For Installation in or on non-combustible materials only

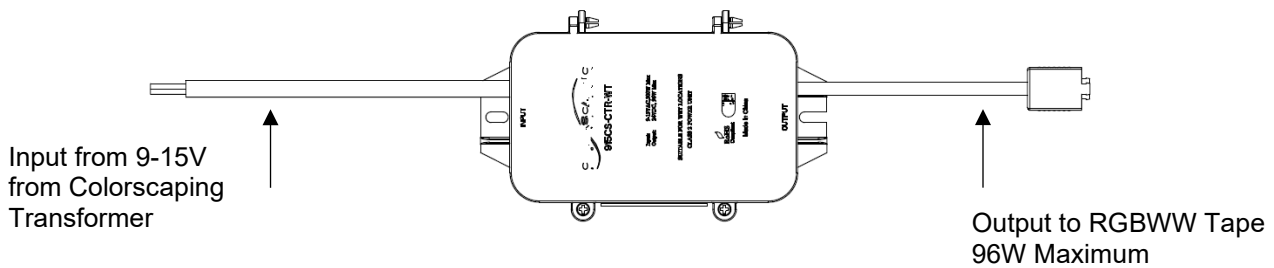
CAUTION – TO REDUCE RISK OF FIRE AND ELECTRICAL SHOCK

- Read all instructions before installing.
- Handle product with care.
- To reduce the risk of overheating and potential fire risk, make sure all connections are tight.
- Do not modify or disassemble product beyond instructions or warranty will be void.
- Failure to follow safety warnings, and installation instruction will void the warranty

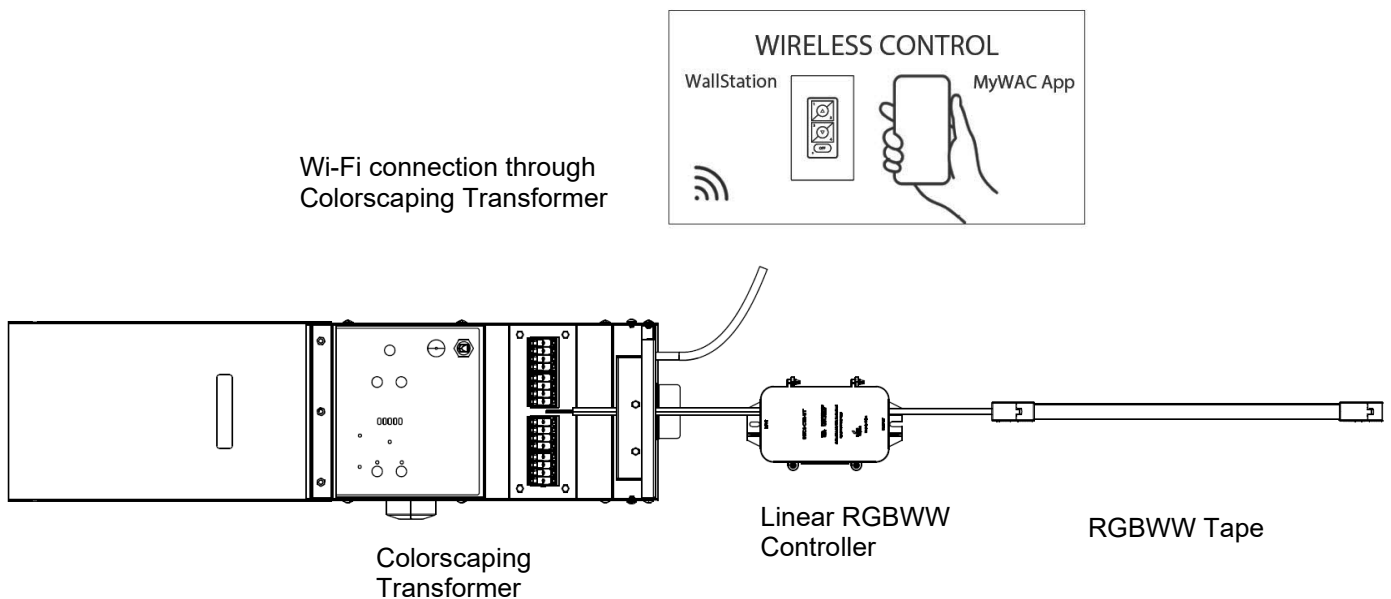
ATTENTION - AFIN DE RÉDUIRE LES RISQUES D'INCENDIE ET DE CHOC ÉLECTRIQUE

- Lire toutes les instructions avant d'installer.
- Manipuler le produit avec soin.
- Afin de réduire le risque de surchauffe et d'incendie potentiel, s'assurer que toutes les connexions sont bien serrées.
- Ne pas modifier ou démonter le produit au-delà des instructions sous peine d'annuler la garantie.
- Ne pas respecter les avertissements de sécurité et des instructions d'installation annulera la garantie.

PRODUCT OVERVIEW



EXAMPLE INSTALLATION FOR WIRELESS AND DMX CONTROL



MAPPING VOLTAGE VARIATIONS TO POWER OUTPUT

