

WAC FANS

ATLANTIS

Installation Instructions



Please read and save these
instructions before installation

GENERAL INQUIRIES

For all questions about your ceiling fan please read all included instructions, installation procedures, troubleshooting guidelines and warranty information before starting installation

For missing parts or general inquiries call our trained technical staff at:

1-800-526-2588 option 1

MON-FRI 8AM-8PM EST

Email: customerservice@waclighting.com
Or live chat at www.waclighting.com

FAN SUPPORT

For fast service have the following information below when you call:

- Model Name and Number
- Part Number and Part Description
- Date Of Purchase and Purchase Location

1-800-526-2588 option 3

MON-FRI 8AM-8PM EST

Email: fansupport@waclighting.com

DO NOT RETURN TO STORE

SAFETY RULES

For operation, maintenance, and troubleshooting information, visit <http://waclighting.com/fan-support/>

To reduce the risk of electric shock, ensure electricity has been turned off at the circuit breaker before beginning.

All wiring must be in accordance with the National Electrical Code “ANSI/NFPA 70” and local electrical codes. Electrical installation should be performed by a licensed electrician.

The fan must be mounted with a minimum of 7 ft. (2.1m) clearance from the trailing edge of the fan blades to the floor and a minimum of 1.5 ft (0.5m) from the edge of the fan blades to the surrounding walls.

Never place objects in the path of the fan blades. To avoid personal injury or damage to the fan and other items, please be cautious when working around or cleaning the fan.

To avoid electrical shock or damage to the motor or finish, do not use water or chemicals when cleaning the fan or fan blades. A dry cloth or lightly dampened cloth will be suitable for most cleaning.

After making electrical connections, spliced conductors should be turned upward and pushed carefully up into the outlet box. The wires should be spread apart with the grounded conductor and the equipment-grounding conductor on one side of the outlet box, and the ungrounded conductor on the other side of the outlet box.

All set screws must be checked and re-tightened where necessary before installation.

SAFETY RULES

WARNING: Do not install or use your fan if any part(s) is/are damaged or missing. This product is designed for use only with the supplied parts and/or accessories designated for use with this product by Modern Forms. Substitution of parts or accessories not designated for use with this product by Modern Forms could result in personal injury or property damage and will void the warranty. Contact an authorized dealer or the manufacturer if any parts are damaged or missing.

WARNING: To reduce the risk of electric shock, this fan must be installed and operated with the supplied wall control, or controlled from the Modern Forms app or Wi-Fi Touch Panel Wall Control (not included).

WARNING: Do not use power tools to assemble or install your fan. Using power tools can result in improper assembly which can lead to noise or fan damage, personal injury or property damage.

WARNING: To reduce the risk of personal injury, do not bend the blade arms when installing the brackets, balancing the blades or cleaning the fan.

WARNING: Do not insert foreign objects between rotating fan blades.

WARNING: Do not operate fan unless fan blades are in place. Noise and fan damage can occur

WARNING: This appliance is not intended for use by young children without supervision.

WARNING: To reduce the risk of fire, electric shock, personal injury or damage to the fan or other items, the outlet box and support structure must be securely mounted and capable of reliably supporting a minimum of 35 lbs (15.9 kg). Use only UL/cUL listed outlet boxes marked "FOR FAN SUPPORT." Use only the screws and washers provided with the outlet box.

CAUTION: Before assembling your fan, refer to the "Making the Electrical Connections" section. If you feel you do not have enough wiring knowledge or experience, have your fan installed by a licensed electrician.

NOTE: Before servicing or cleaning the fan, switch power off at the circuit breaker.

Suitable for Damp Location

This WAC Fan is:



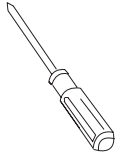
Damp Location-listed to the strictest UL/cUL safety regulations. Finished and rated for interior and exterior use.



TABLE OF CONTENTS

4	Package Contents	9.
5	Mounting Options	10.
5	Installing the Mounting Bracket	10.
6	Attaching the Fan Blades	11.
6	Pull Chain Assembly	11.
7	Hanging the Fan	12.
8	Making the Electrical Connections	14.
9	Finishing the Installation	15.
10	Installing the LED Module	16.
11	Installing the Luminaire Module/Glass	17.
12	Controlling the Fan	18.
13	Accessories	19.
14	Troubleshooting	20.

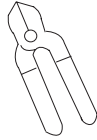
03 | TOOLS & MATERIALS REQUIRED



Phillips screwdriver



Step ladder



Wire cutters



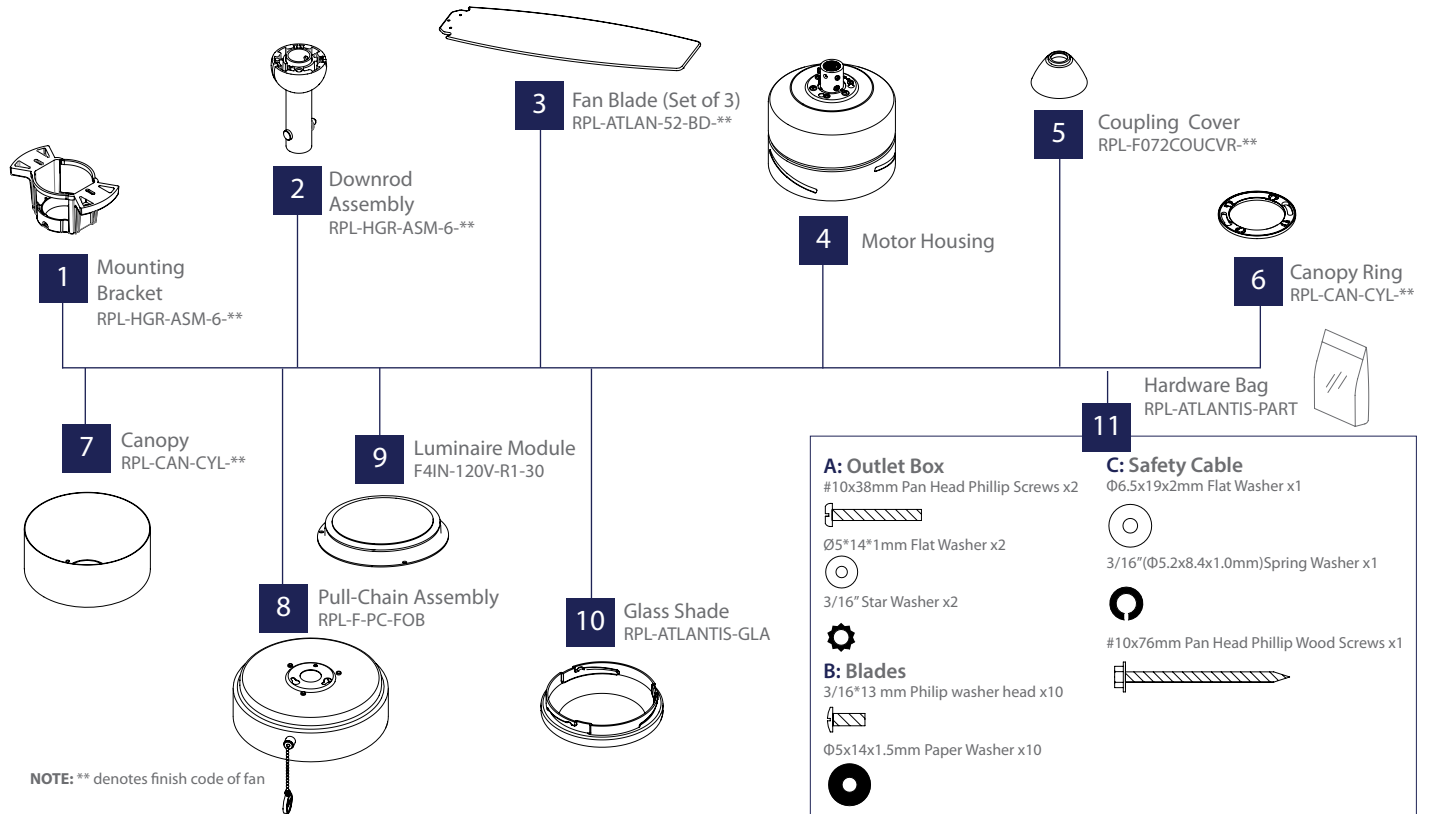
Electrical tape

Hanging Weight: 18.29 lbs

NOTE: Before discarding packaging materials, be certain all parts have been removed.

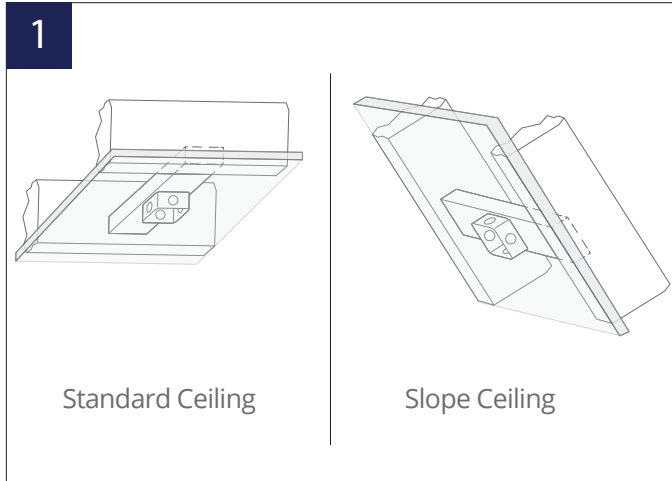
NOTE: Place the parts from the hardware bag into a small container to keep them from being lost.

PACKAGE CONTENTS | 04



NOTE: ** denotes finish code of fan

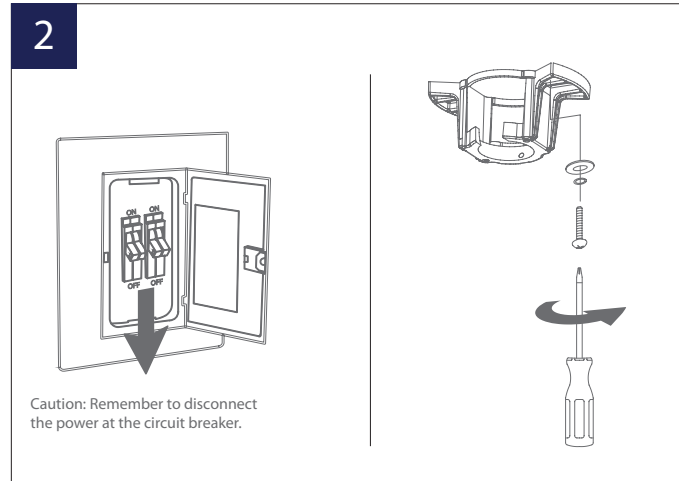
05 | MOUNTING OPTIONS



CAUTION: To prevent electrical shock, ensure electricity has been turned off at the circuit breaker before beginning.

Figures 1 and 2 are examples of different ways to mount the outlet box. Use **A** Hardware if needed to mount your outlet box.

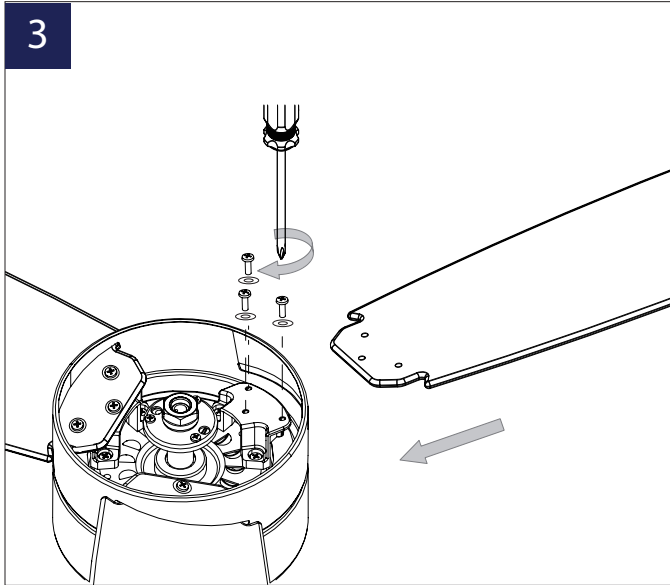
INSTALLING THE MOUNTING BRACKET



Remove 1 set screw from mounting bracket and set aside for use in Finishing the Installation.

Pass supply wires through mounting bracket and secure to outlet box.

ATTACHING THE FAN BLADES



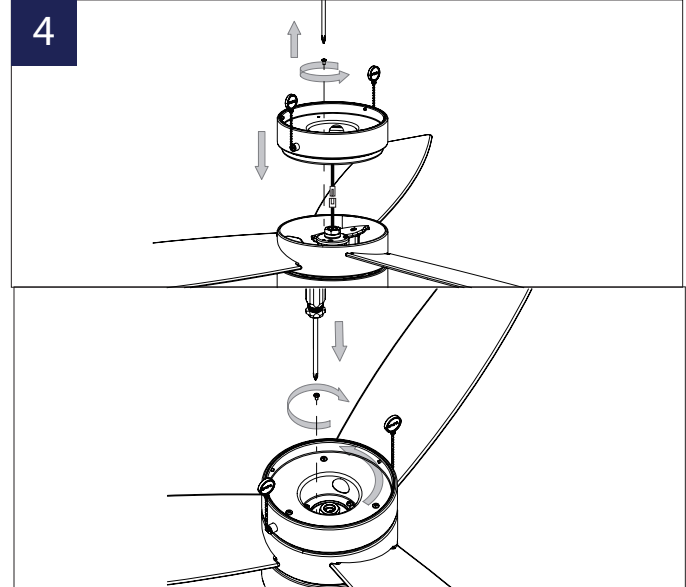
1. Insert blades in slots, aligning with motor assembly holes.
2. Secure blades with blade attachment screws & washers.
Use **B** Hardware.

NOTE: You may want to place your fan housing on the styrofoam that came with your package for easier installation.

F-072L

PULL CHAIN ASSEMBLY

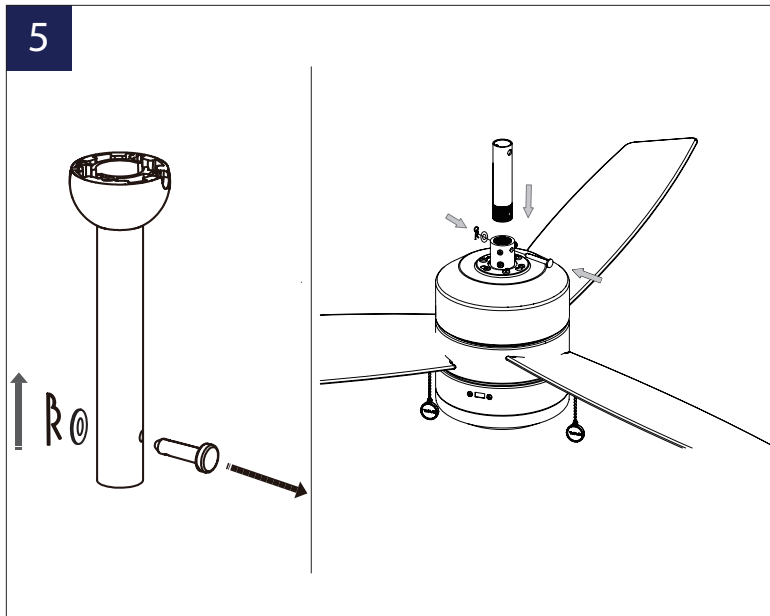
06



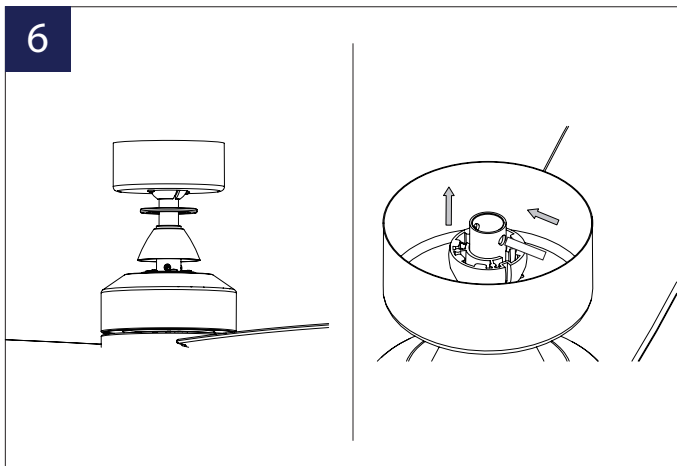
1. Remove one of the three mounting plate screws from the mounting ring and loosen the other two screws (do not remove).
2. Install the pull chain assembly by connecting the moxex connector, twisting in the assembly in a key lock position, and then tightening the screws.

11

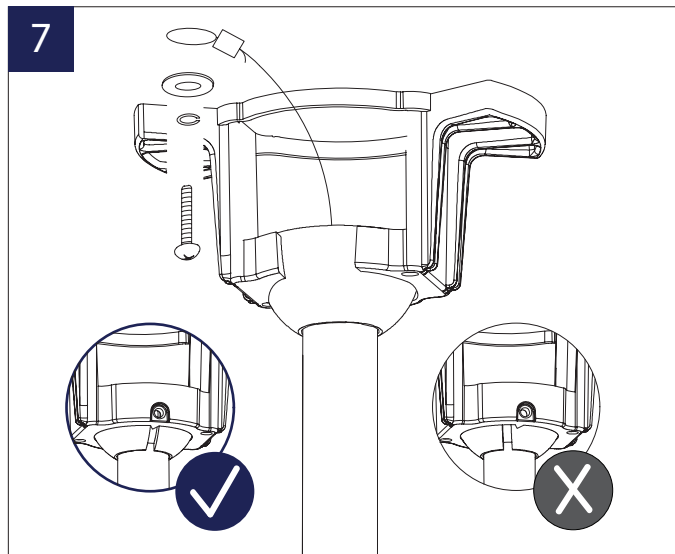
07 | HANGING THE FAN



1. Remove screw from hanger ball. Remove hanger ball and cross pin. Set them aside.
2. Loosen 2 screws, clevis pin and cotter pin.
3. Install downrod assembly into motor housing as shown.
4. Align downrod and motor collar holes, re-insert pins and screws.



1. Slip up canopy and canopy screw cover. Re-install hanger ball with cross pin in the correct position.



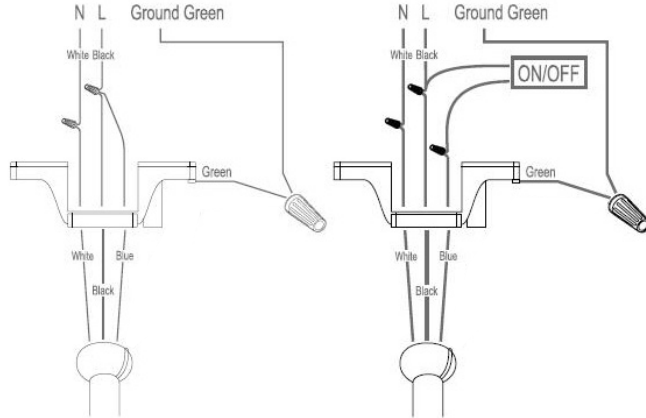
1. Seat all into the mounting bracket. Rotate until ball drops and locks into hanger bracket screw.

2. Secure the safety cable into the structure beams using the wood screw, washers, and spring washers provided. Use **C** Hardware.

NOTE: Safety cable is required for all ceiling fan installations in Canada. Safety cable is required for ceiling fan and light (combo) installations over 35 lbs. in both flush and downrod models in the United States

08 | MAKING THE ELECTRICAL CONNECTIONS

8



On/Off Switch Wiring-
Diagram A

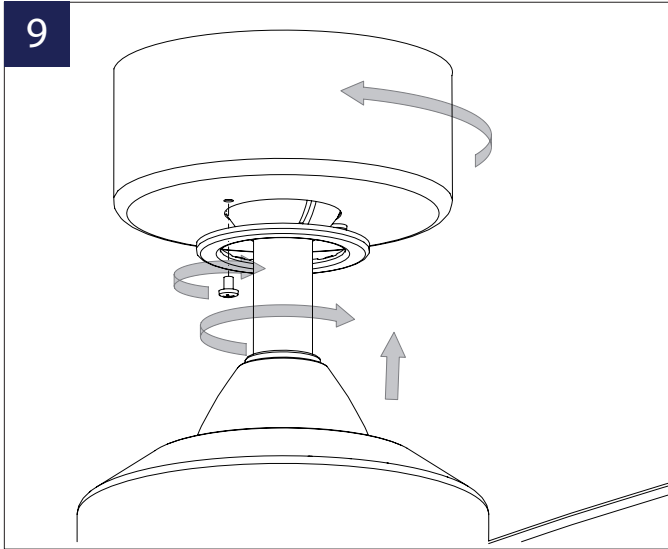
Separate Light Switch Wiring-
Diagram B

1. Turn off circuit breakers and wall switch.
2. Connect the ground conductor of the 120v supply to the green groundlead(s) of the fan. Connect the white (neutral) wire from the ceiling to the white wire (light) from fan. Connect the black (hot) wire from the ceiling to the black wire (fan motor) and blue wire (light) from the fan.

3. Secure the wire nuts by wrapping the connections with electrical tape.

NOTE: Pull-chain light must be on to operate the light on a separate switch per Diagram B.

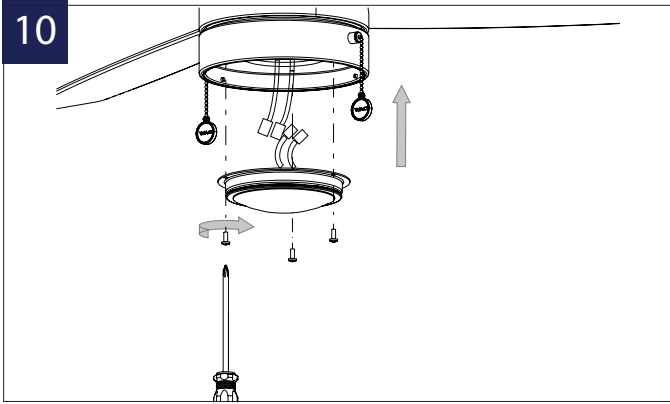
NOTE: Fan will recall last speed setting if switched Off.



1. Secure wire connectors with supplied wire ties.
2. Install canopy to mounting bracket with the screw removed in section 2.

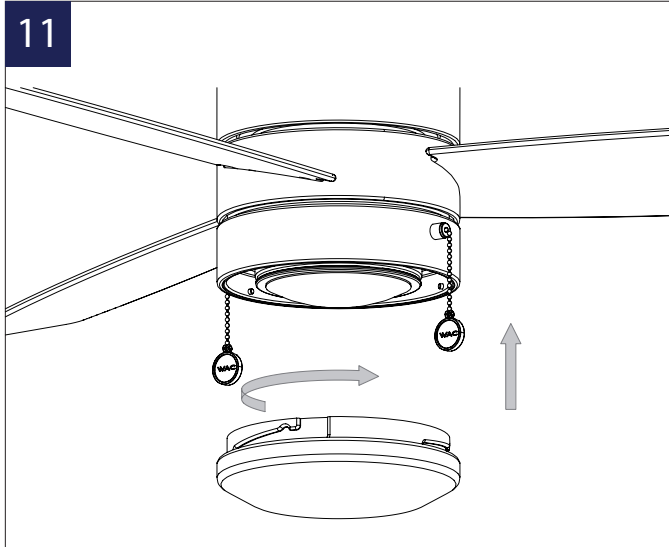
1. Tighten canopy screw ring as shown.

10 | INSTALLING THE LED MODULE



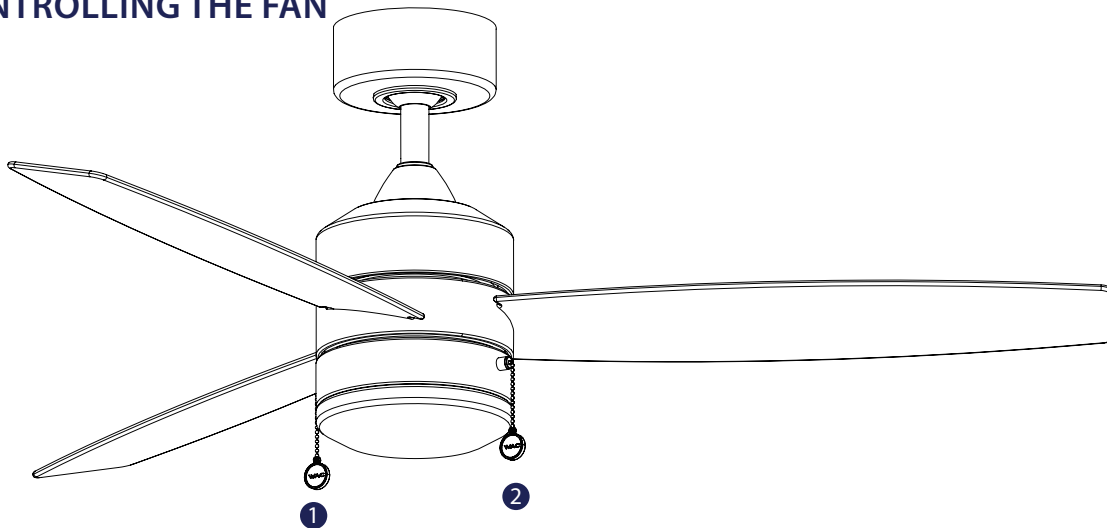
1. Remove the 3 screws from the outer perimeter of the pull-chain assembly and set them aside.
2. Connect the white wire from the LED module to the white wire from the fan.
3. Connect the blue wire from the LED module to the blue wire from the fan.

1. Secure luminaire module with the 3 previously removed screws.



1. Twist-lock lens into place firmly.

12 | CONTROLLING THE FAN



PULL CHAIN OPERATING INSTRUCTIONS

The pull chain ① controls the fan speed as follows:
1 pull - High, 2 pulls - Medium, 3 pulls - Low, 4 pulls -Off.

NOTE: Speed settings for warm or cool weather depend on factors such as the room size, ceiling height, and number of fans. To turn the light kit on or off, pull the chain that is attached to the light kit ②.

REVERSE SWITCH OPERATING INSTRUCTIONS

The reverse switch is located on the surface of the switch housing. Slide the switch to the left for warm weather operation. Slide the switch to the right for cool weather operation.

Product	Model	Description
Downrod	DR12-**	12" in downrod
	DR18-**	18" in downrod
	DR24-**	24" in downrod
	DR36-**	36" in downrod
	DR48-**	48" in downrod
	DR60-**	60" in downrod
	DR72-**	72" in downrod
Coupler	DC-**	Connects two downrods
Slope Ceiling Kit	SC-**	Designed to accommodate buildings with steeper sloped ceilings up to 45° or 12/12 pitch

All our downrods are **.75" O.D.** and are threaded on the motor end to create an extra layer of security to allow for adjustments in the field



14 | TROUBLESHOOTING

My Fan Will Not Start

1. Check main and branch circuit fuses or circuit breakers.
2. Check line wire connections to fan and switch wire connections in the switch housings.

WARNING: Make sure the main power is turned off!

My Fan is Noisy

1. Allow for 24-hour break-in period. Most noises associated with a new fan will go away during this time period.
2. Check to make sure the screws which attached to the blades (and blade arms when applicable) are tight.
3. Check to make sure all screws in motor housing are snug.
4. Make sure light cover is tightened and/or glass is snug.
5. Tighten the hanger bracket screws and make sure the outlet box is secured.
6. Your wire connectors may be rattling against the fan's canopy.
7. Make sure you have a cUL/UL approved outlet box and it is installed correctly.

My Fan is Wobbling

1. Tighten the setscrews in the downrod.
2. Make sure your hanger ball assembly is locked into place in the hanger bracket.
3. Tighten the hanger bracket screws to the outlet box.
4. Make sure the fan blades are properly aligned and securely fastened to the motor housing assembly/blade arms.
5. Make sure the gaps between the blades are evenly distributed.
6. Make sure you are using an approved cUL/UL listed outlet box and it is installed correctly

My Fan is not producing Enough Air Movement

If possible, please consider using a longer than included downrod.

For all other questions, please contact our dedicated Fan Support specialists. Contact information can be found at the front of the instructions.

CERTIFICATE OF WARRANTY

Congratulations on your new purchase.

Your new WAC Fan is engineered to make life easier every day. WAC creates future-forward fans and luminaires that provide energy savings and outstanding efficiency. Our dedication to doing things the right way goes beyond our love for amazing products. WAC Fans™ warrants any of its outdoor rated ceiling fan products that they are to be free from defects in material and workmanship for a period of one (1) year from the date of purchase; outdoor painted finishes are warranted for two (2) years; LED light modules and electronic components are warranted for five (5) years; DC motors and stainless steel finishes are warranted for lifetime under normal use to the first non-dealer purchaser.

Although WAC uses the best available materials and does extensive testing for finish endurance, some fading or chalking may occur and is considered normal. For coastal locations, some corrosion and/or deterioration is considered "normal wear" in this environment. Therefore, any finish claim due to coastal environment conditions is not applicable to our warranty. If a product is defective, all efforts will be made to correct the problem in the field. If the problem cannot be resolved, an RGA number will be issued. WAC obligation is expressly limited to repair or replacement, without charge, at the WAC factory after prior written return authorization has been granted.

WAC obligation under this warranty shall not extend beyond the distributor's initial purchase price of the product and accordingly any consequential damages or labor costs arising out of a defect are expressly excluded. This warranty shall not apply to products that have been altered, improperly installed, mishandled or misused. Notice of a defect in writing must be received by WAC within five (5) years from the date of purchase (or according period of time as outlined by material). Excluded from warranty are any 3rd party component which carries its own manufacturer's warranty. Note: WAC product warranty applies only to purchases from authorized WAC distributors. **THERE ARE NO WARRANTIES WHICH EXTEND BEYOND THE DESCRIPTION ON THE FACE HEREOF INCLUDING WARRANTIES OF MERCHANTABILITY AND FITNESS FOR A PARTICULAR PURPOSE.**

Felicidades por tu nueva compra.

Su nuevo ventilador WAC está diseñado para facilitarle la vida cada día. WAC crea ventiladores y luminarias para el futuro que proporcionan ahorros de energía y eficiencia excepcional. Nuestra dedicación a hacer las cosas de la manera correcta va más allá de nuestro amor por los productos asombrosos. WAC garantiza a cualquiera de sus productos para ventiladores de techo con clasificación exterior que estén libres de defectos en materiales y mano de obra por un período de un (1) año desde el fecha de compra; Los módulos de luz LED están garantizados por cinco (5) años; Los motores de CC y los acabados de acero inoxidable están garantizados de por vida bajo el uso normal para el primer comprador no distribuidor.

Aunque WAC utiliza los mejores materiales disponibles y realiza pruebas exhaustivas para la resistencia del acabado, puede producirse cierto desvanecimiento o parpadeo y se considera normal. Para las ubicaciones costeras, cierta corrosión y / o deterioro se considera "desgaste normal" en este entorno. Por lo tanto, cualquier reclamación de acabado debido a las condiciones del entorno costero no se aplica a nuestra garantía. Si un producto es defectuoso, se harán todos los esfuerzos para corregirlo. El problema en el campo. Si el problema no se puede resolver, se emitirá un número RGA. La obligación de WAC se limita expresamente a la reparación o el reemplazo, sin cargo, en la fábrica de WAC después de que se haya otorgado una autorización previa por escrito.

La obligación de WAC bajo esta garantía no se extenderá más allá del precio de compra inicial del producto por parte del distribuidor y, en consecuencia, cualquier daño consecencial o costo de mano de obra que surja de un defecto se excluye expresamente. Esta garantía no se aplicará a los productos que hayan sido alterados, instalados incorrectamente, mal manejados o mal utilizados. La notificación de un defecto por escrito debe ser recibida por WAC dentro de los cinco (5) años a partir de la fecha de compra (o según el periodo de tiempo indicado en el material). Quedan excluidos de la garantía todos los componentes de terceros que tengan la garantía de su propio fabricante. Nota: la garantía del producto WAC se aplica solo a las compras de los distribuidores autorizados de WAC. **NO HAY GARANTÍAS QUE SE EXTIENDAN MÁS ALLÁ DE LA DESCRIPCIÓN DE SU CARACTERÍSTICA, INCLUIDAS LAS GARANTÍAS DE COMERCIALIZABILIDAD Y ADECUACIÓN PARA UN PROPÓSITO PARTICULAR.**

Félicitations pour votre nouvel achat.

Votre nouveau ventilateur intelligent WAC est conçu pour vous simplifier la vie au quotidien. WAC crée des ventilateurs et des luminaires d'avant-garde qui permettent des économies d'énergie et une efficacité exceptionnelle. Notre engagement à bien faire les choses va au-delà de notre amour pour les produits étonnants. WAC garantit à tous ses produits pour ventilateurs de plafond pour extérieur qu'ils ne doivent présenter aucun défaut de matériau ou de fabrication pendant un (1) an date d'achat; Les modules d'éclairage à LED sont garantis pendant cinq (5) ans; Les moteurs à courant continu et les finis en acier inoxydable sont garantis à vie dans les conditions normales d'utilisation par le premier acheteur non revendeur.

Bien que WAC utilise les meilleurs matériaux disponibles et effectue des tests approfondis pour l'endurance de la finition, des décolorations ou des craies peuvent se produire et sont considérés comme normaux. Pour les zones côtières, une certaine corrosion et / ou détérioration est considérée comme une «usure normale» dans cet environnement. Par conséquent, toute réclamation liée à la finition en raison des conditions de l'environnement côtier ne s'applique pas à notre garantie. Si un produit est défectueux, tous les efforts seront déployés pour y remédier. Le problème sur le terrain. Si le problème ne peut pas être résolu, un numéro RGA sera attribué. L'obligation de WAC est expressément limitée à la réparation ou au remplacement, sans frais, dans l'usine de WAC après autorisation écrite préalable du retour.

L'obligation de WAC au titre de cette garantie ne s'étendra pas au-delà du prix d'achat initial du produit par le distributeur. En conséquence, tout dommage indirect ou tout coût de main-d'œuvre résultant d'un défaut est expressément exclu. Cette garantie ne s'applique pas aux produits modifiés, mal installés, manipulés ou utilisés de manière inappropriée. WAC doit recevoir un avis écrit du défaut dans un délai de cinq (5) ans à compter de la date d'achat (ou selon la période précisée dans les informations fournies). Sont exclus de la garantie tout composant tiers bénéficiant de la garantie du fabricant. Remarque: la garantie des produits WAC ne s'applique qu'aux achats auprès des distributeurs agréés WAC. **IL N'Y A AUCUNE GARANTIE QUI ALLAIT AU-DELÀ DE LA DESCRIPTION FACE AU PRESENT, INCLUANT LES GARANTIES DE QUALITÉ MARCHANDE ET D'ADÉQUATION À UN USAGE PARTICULIER.**

WAC FANS

F-072L

wacighting.com

WAA23051009