

INSTALLATION INSTRUCTION

IR SENSOR SWITCH IR-96-24VACDC*

WAC LIGHTING

SAFETY INSTRUCTION

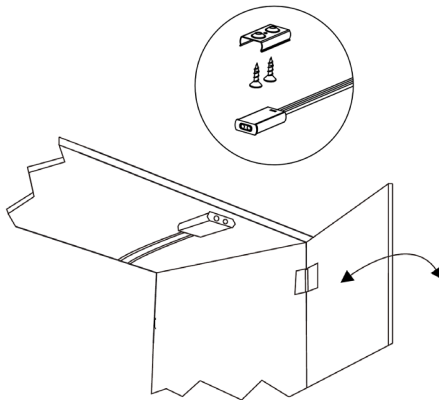
- For indoor use only.
- Dry and damp locations.

OPERATING CONDITIONS

- 24VDC, 96W MAX
- Mount within 1-3 inches from cabinet door

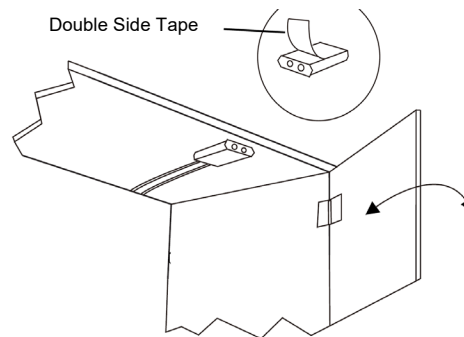
WIRING AND INSTALLATION:

With mounting hardware



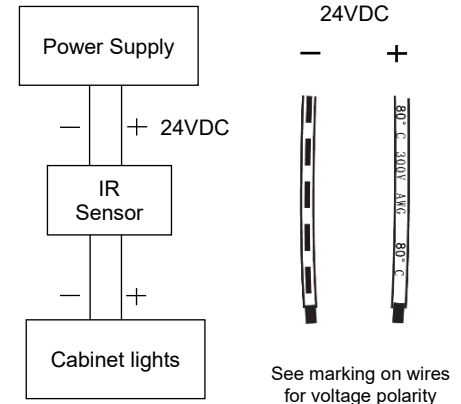
Mount within 1-3 inches from cabinet door

With double side tape



Mount within 1-3 inches from cabinet door

Wiring Instruction



wacighting.com
Phone (800) 526.2588
Fax (800) 526.2585

Headquarters/Eastern Distribution Center
44 Harbor Park Drive
Port Washington, NY 11050

Central Distribution Center
1600 Distribution Ct
Lithia Springs, GA 30122

Western Distribution Center
1750 Archibald Ave
Ontario, CA 91761