

# INSTALLATION INSTRUCTION

## Straight Edge LED Strip Light for Task and Cove

LS-LED

WAC LIGHTING  
Responsible Lighting®

### SAFETY INSTRUCTION

IMPORTANT: NEVER attempt any work without shutting off the electricity.

- Read all instructions before installing.
- Always turn off the power at fuse box prior to installation to prevent electrical shock.
- To be installed by a qualified electrician.
- System is intended for installation in accordance with National Electric Code and local regulations.
- Consult with local inspector to assure compliance.
- Keep away from combustible materials such as plastic or paper products.
- Do not operate with missing or damaged parts.

### PRODUCT INCLUDES

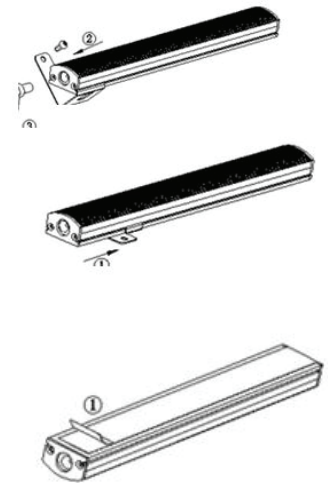
- (1) Led Light Strip
- (2) Flat Mounting Clips SL-C1
- (2) Fixed Angle Mounting clips SL-C2
- (1) "I" Connector
- (2) Mounting screws

### INSTALLATION AND WIRING

#### MOUNTING CLIPS

**Flat** (SL-C1), **Fixed Angle** (SL-C2), and **Adjustable Angle** (SL-C3-SN) (Sold Separately)

1. Choose the proper mounting clip needed for install
2. Slide clip onto the fixture and fasten fixture to surface using the provided mounting screws.



#### TAPE

Double Sided (TAPE-36) and Magnetic (MAG-TAPE-36) (Sold Separately)

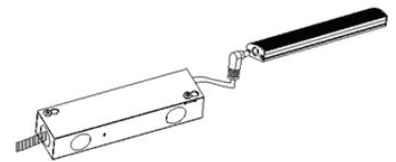
1. Chose Tape Depending on Surface the fixture is being attached to
2. Clean surface and fixture of all oils, grease, dust, etc... to ensure proper bonding
3. Cut tape to a size appropriate for its use
4. Place the tape flat onto the back of the fixture
5. Ensure the tape is pressed flat without any wrinkles.  
Wrinkles in the tape will result in an uneven installation.
6. Peel backing away from tape and gently press the fixture onto its predetermined location

#### CONNECT POWER

Insert plug end of cord from transformer into either end of fixture

**Transformers needed (sold separately):**

- |                    |   |
|--------------------|---|
| 60W plug in (120V) | <b>EN-2460-P-AR-S</b>   |
| 96W plug in (120V) | <b>EN-24100-P-AR-S</b>  |
| 60W remote (120V)  | <b>EN-2460-RB2-S</b>  |
| 96W remote (120V)  | <b>EN-24100-RB2-S</b>   |
| 96W remote (277V)  | <b>EN-24100-277-R</b> (Requires a SL-EXT-144 extension cable. order separately) |



#### CONNECTING MULTIPLE FIXTURES

End to End Connection (I-connector included):

The "I" connector allows two fixtures to be butted end to end.

1. Insert one end of the "I" connector into the fixture.
2. Slide the next fixture into place



WAC Lighting  
www.waclighting.com  
Phone (800) 526.2588 • Fax (800) 526.2585

Headquarters/Eastern Distribution Center  
44 Harbor Park Drive • Port Washington, NY 11050  
Phone (516) 515.5000 • Fax (516) 515.5050

Western Distribution Center  
1750 Archibald Ave • Ontario, CA 91761  
Phone (800) 526.2588 • Fax (800) 526.2585

INSTALLATION INSTRUCTION  
**Straight Edge LED Strip Light for Task and Cove**  
 LS-LED

**WAC LIGHTING**  
 Responsible Lighting®

**INTERCONNECTING FIXTURES WITH JUMPER WIRES (SOLD SEPARATELY):**

A surface mount jumper wire allows multiple units to be linked through surface wiring (see diagram below).  
 Insert the end of the connectors into each fixture.  
 If your jumper wire needs to be extended use our "IF" cable (SL-IF) to connect them together to lengthen.

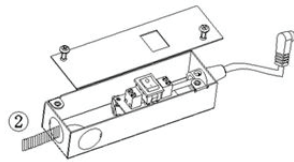
**AVAILABLE LENGTHS AND CONFIGURATIONS (SOLD SEPARATELY)**

- SL-IC-06**      6 inch
- SL-IC-12**     12 inch
- SL-IC-24**     24 inch
- SL-IC-36**     36 inch
- SL-Y**          Y connector
- SL-X**          X connector
- SL-IF**         IF cable connector



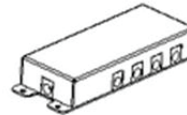
**WIRING BOX WITH SWITCH (SOLD SEPARATELY)**

For low voltage wiring use only 12V/24V 4A  
 12AWG to 20AWG  
 Model: **TB-S**



**TERMINAL BLOCK (SOLD SEPARATELY)**

Use terminal block to connect up to 8 fixtures  
 Model: **MTB-08** 8 output



Please follow guidelines below for the number of units that can be wired in series

	<b>EN-2460-P-AR-S (60W)</b>	<b>EN-24100-P-AR-S (100W)</b>	<b>EN-2460-RB2-S (60W)</b>	<b>EN-24100-RB2-S (100W)</b>
<b>LS-LED08</b>	20pcs	36pcs	20pcs	36pcs
<b>LS-LED14</b>	12pcs	20pcs	12pcs	20pcs
<b>LS-LED20</b>	8pcs	12pcs	8pcs	12pcs
<b>LS-LED26</b>	6pcs	10pcs	6pcs	10pcs
<b>LS-LED32</b>	5pcs	8pcs	5pcs	8pcs

WAC Lighting  
 www.waclighting.com  
 Phone (800) 526.2588 • Fax (800) 526.2585

Headquarters/Eastern Distribution Center  
 44 Harbor Park Drive • Port Washington, NY 11050  
 Phone (516) 515.5000 • Fax (516) 515.5050

Western Distribution Center  
 1750 Archibald Ave • Ontario, CA 91761  
 Phone (800) 526.2588 • Fax (800) 526.2585