

INSTALLATION INSTRUCTION

Low Voltage Surface Mount Fixture

ME-826

WAC LIGHTING
Responsible Lighting®

SAFETY INSTRUCTION

IMPORTANT: NEVER attempt any work without shutting off the electricity.

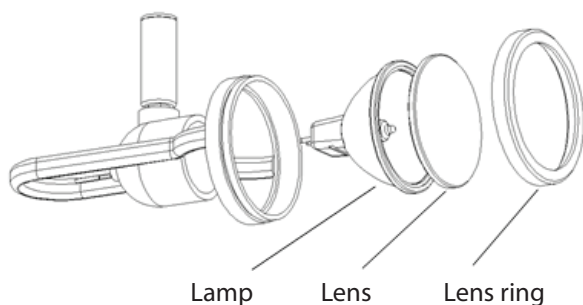
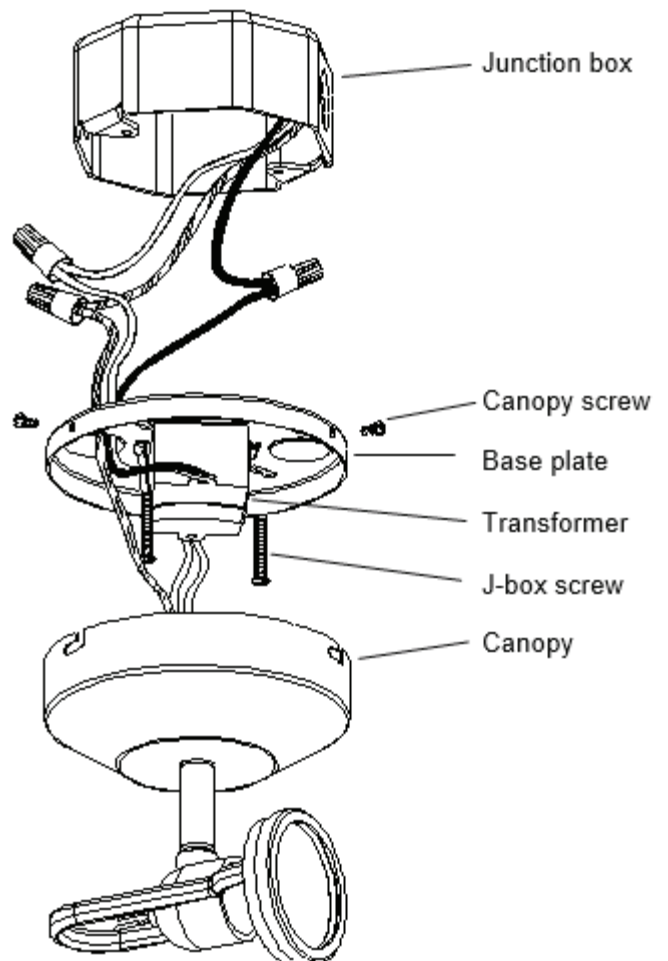
- Always turn off power at main switch prior to installation to prevent electrical shock.
- Read all instructions before installing.
- For installation by a qualified electrician.
- System is intended for installation in accordance with National Electric Code, and local regulations. Consult with local inspector to assure compliance.
- Install over a standard 4-inch junction box.
- All wires must be contained in the junction box.

INSTALLING FIXTURE:

1. Loosen the three canopy screws twist and separate the canopy cover from the base plate.
2. Remove knock out from the base plate.
3. Guide the white and black wires from the transformer through the knock out in the base plate and into the Junction box.
4. Connect with like colored line volt wires from the junction box to transformer wires, with wire nuts (supplied).
5. Connect green grounding wire from junction box (may be bare copper wire) to green wire from fixture.
6. Attach the base plate to a junction box using slotted holes.
7. Mount the canopy to the base plate by twisting key holes over three screws in base plate.
8. Tighten screws to secure canopy.

INSTALLING LAMP & SHADE:

1. Use a 12 volt MR16 bi-pin lamp, 50Watt maximum.
2. Remove the lens ring by turning counter clockwise, and remove the lens.
3. Insert lamp pins with the holes in the socket and push fully in.
4. Place the lens into the lens ring and screw on to the fixture.



WAC Lighting
www.waclighting.com
Phone (800) 526.2588 • Fax (800) 526.2585

Headquarters/Eastern Distribution Center
44 Harbor Park Drive • Port Washington, NY 11050
Phone (516) 515.5000 • Fax (516) 515.5050

Western Distribution Center
1750 Archibald Ave • Ontario, CA 91761
Phone (800) 526.2588 • Fax (800) 526.2585