

INSTALLATION INSTRUCTIONS

Stealth Framing Projector Monopoint

MO-1210



CAUTION: TO PREVENT ELECTRICAL SHOCK, ENSURE ELECTRICITY HAS BEEN TURNED OFF AT THE CIRCUIT BREAKER BEFORE BEGINNING.

- Read all instructions before installing.
- System is intended for installation by a licensed electrician in accordance with the National Electrical Code (NEC) and local regulations.
- When handling the fixture, do not apply pressure to the LEDs. Hold the fixture by the base only.
- Retain installation instructions for future maintenance reference.

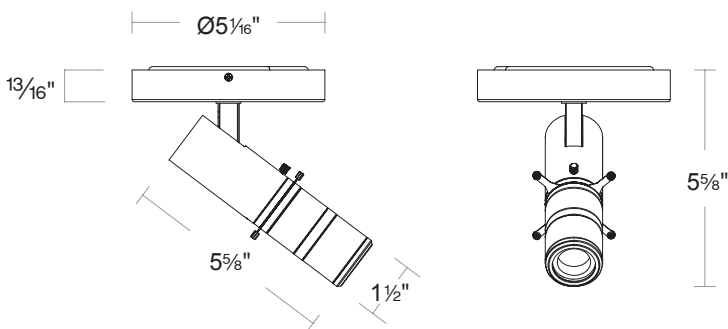
WARNING: All parts must be used as indicated in these instructions. This product is designed for use only with the supplied parts and/or accessories designated for use by WAC Lighting. Substitution of parts or accessories not designated for use with this product by WAC Lighting could result in personal injury or property damage, and will void the warranty. Contact an authorized dealer or the manufacturer if any parts are damaged or missing.

MISE EN GARDE: POUR ÉVITER TOUT CHOC ÉLECTRIQUE, ASSUREZ-VOUS QUE LE DISJONCTEUR SOIT MIS HORS TENSION AVANT DE COMMENCER.

- Lisez toutes les instructions avant l'installation.
- Le système doit être installé par un électricien licencié conformément au code national de l'électricité (NEC), et également aux règlements locaux.
- Lors de la manipulation du luminaire, n'appuyez pas sur les LED. Tenez-le uniquement par la base.

ATTENTION: Toutes les pièces doivent être utilisées comme indiqué dans ces instructions. Ce produit est conçu pour être utilisé seulement avec les pièces et/ou accessoires fournis pour être utilisés avec les produits WAC Lighting. Remplacer des pièces ou accessoires non conçus pour ce produit WAC Lighting pourrait causer des dommages corporels ou matériels et pourrait également causer l'annulation de la garantie. Veuillez contacter un revendeur autorisé ou le fabricant si des pièces manquent ou sont endommagées.

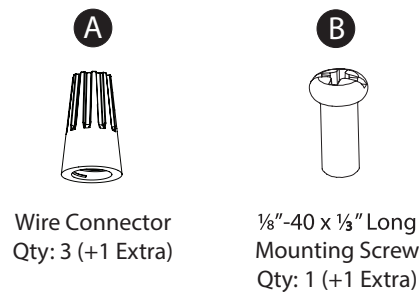
OVERALL FIXTURE DIMENSIONS



FIXTURE OVERVIEW

Monopoint is intended for direct surface mount installation to an NEC approved junction box.

HARDWARE



SPECIFICATIONS	
Input:	120-277V, 50/60Hz
Installation:	3/0, 4/0 Junction Box
Dimming:	ELV, TRIAC (120V only)

waclighting.com
Phone (800) 526.2588
Fax (800) 526.2585

Headquarters/Eastern Distribution Center
44 Harbor Park Drive
Port Washington, NY 11050

Central Distribution Center
1600 Distribution Ct
Lithia Springs, GA 30122

Western Distribution Center
1750 Archibald Avenue
Ontario, CA 91760



INSTALLATION INSTRUCTIONS

Stealth Framing Projector Monopoint

MO-1210



PREPARATION:

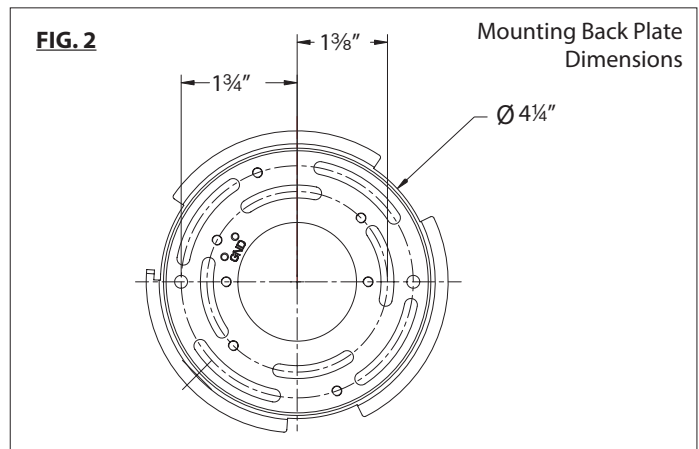
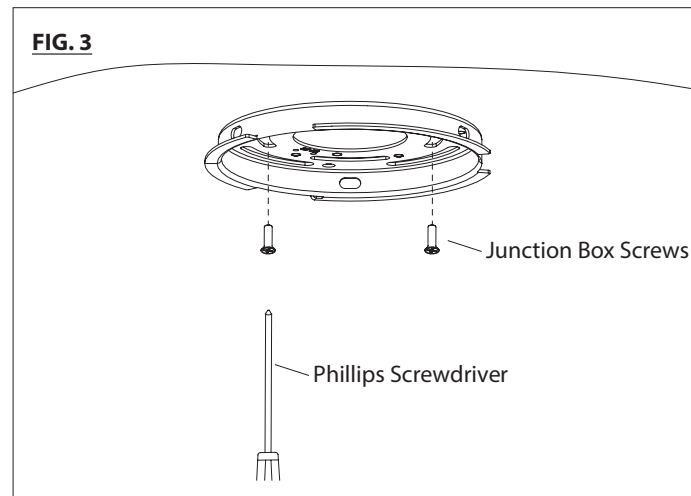
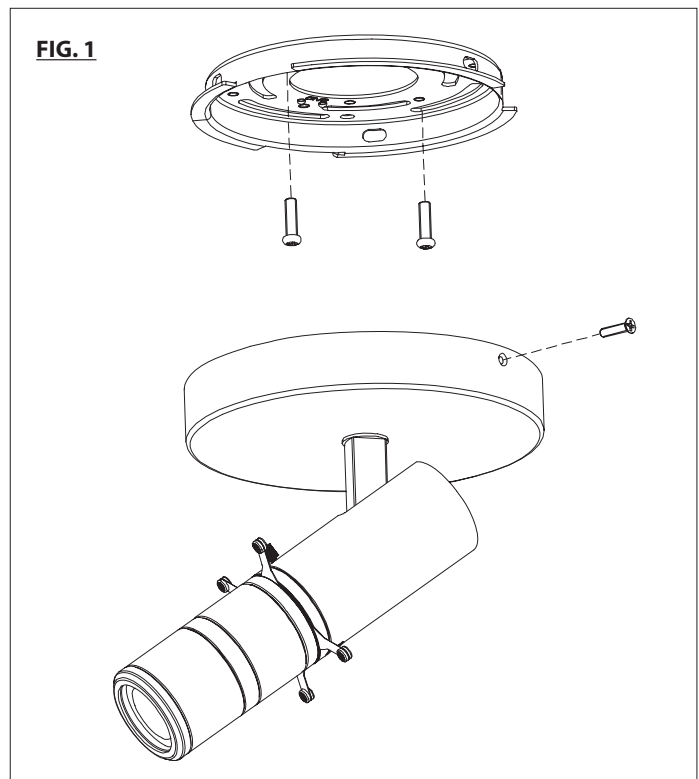
1. Shut off the power at the circuit breaker and remove any existing fixture, including its mounting plate.
2. Carefully unpack your new fixture and lay out all the parts on a clear area. Be careful not to lose any small parts necessary for installation.

MOUNTING THE FIXTURE:

The fixture canopy is supplied with the mounting plate pre-installed and secured by the mounting screw.

1. Loosen the mounting screw (B) to remove the mounting back plate from the fixture (See **FIG. 1**).
2. Secure the mounting back plate to the junction box using the appropriate junction box screws (See **FIG. 3**).

NOTE: The side of the mounting back plate marked "GND" must face out.



INSTALLATION INSTRUCTIONS

Stealth Framing Projector Monopoint

MO-1210

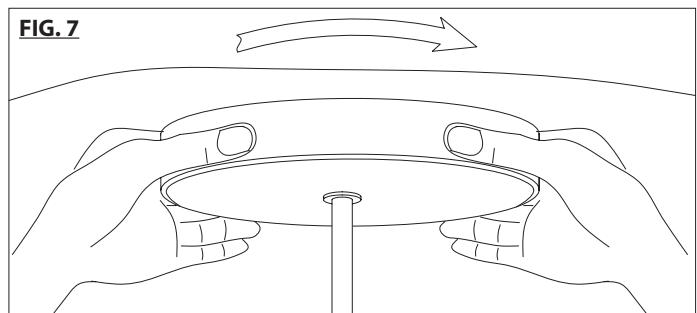
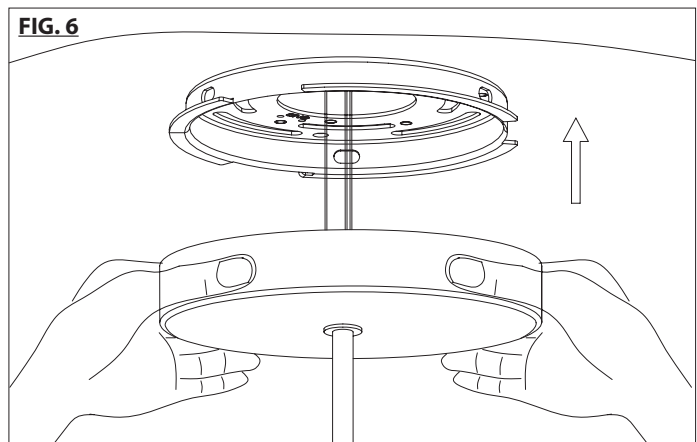
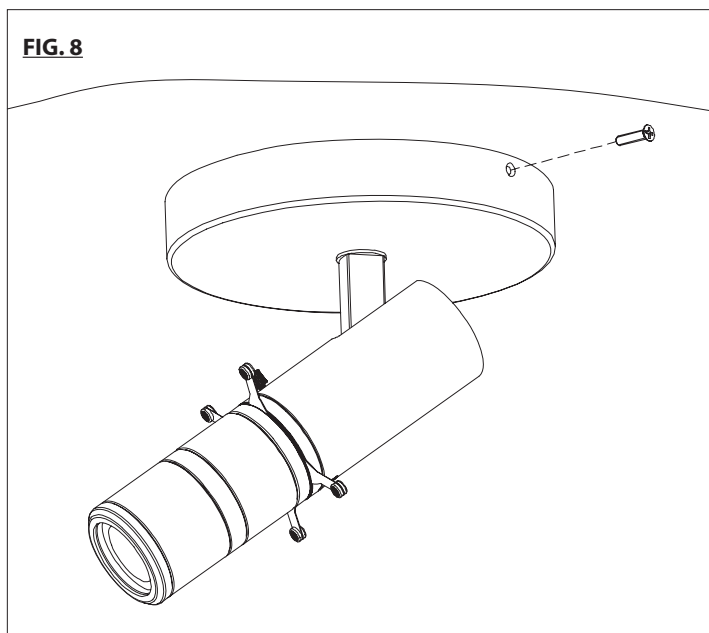
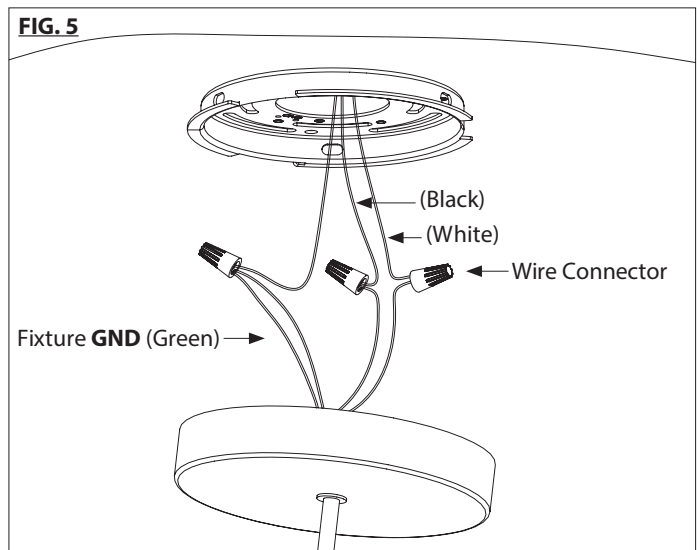
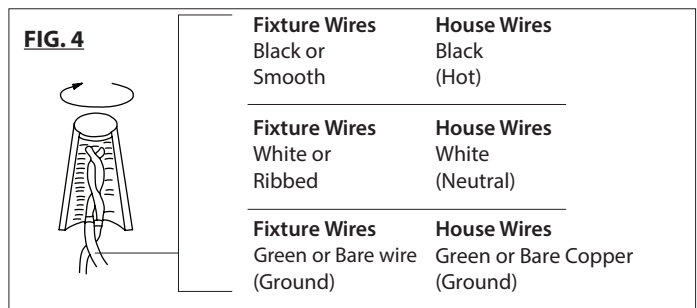


CONNECTING THE POWER WIRES:

1. Connect fixture wires to building wires: insert each supply wire into appropriate junction box wire connector (see **FIG. 4**). The fixture ground wire may be secure to the mounting plate ground screw terminal. Alternatively, it may be spliced and connected to existing building ground wiring (see **FIG. 5**).
2. This fixture features electronic low voltage (ELV) dimming capabilities. To utilize ELV, wire black (line hot), white (line neutral), and green (ground) in accordance to dimmer specifications.
3. Make sure that all wire connectors (A) are secure. If your outlet box has a green or bare copper ground wire, connect the fixture's ground wire to it. Otherwise, connect the fixture's ground wire directly to the mounting back plate using the green screw provided.
4. After wires are connected, tuck them carefully inside inside the junction box.

SECURING THE CANOPY:

1. With wire connections placed inside the junction box, raise canopy towards the ceiling (see **FIG. 6**).
2. Align the mounting plate tabs to the open grooves of the canopy. Turn the canopy clockwise (CW) to fasten it to the mounting plate. (see **FIG. 7**).
3. Secure the canopy to the mounting plate and ceiling by fastening the provided mounting screw. (see **FIG. 8**).



waclighting.com
Phone (800) 526.2588
Fax (800) 526.2585

Headquarters/Eastern Distribution Center
44 Harbor Park Drive
Port Washington, NY 11050

Central Distribution Center
1600 Distribution Ct
Lithia Springs, GA 30122

Western Distribution Center
1750 Archibald Avenue
Ontario, CA 91760



INSTALLATION INSTRUCTIONS

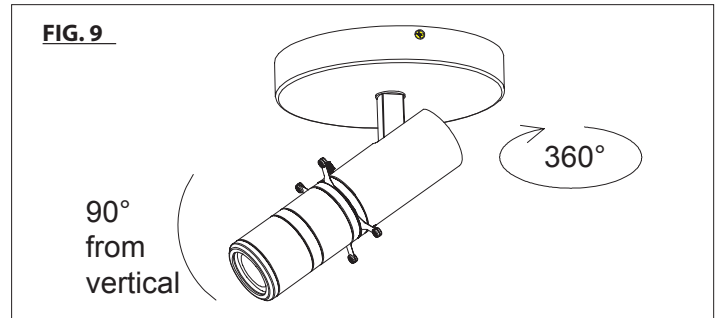
Stealth Framing Projector Monopoint

MO-1210

WAC

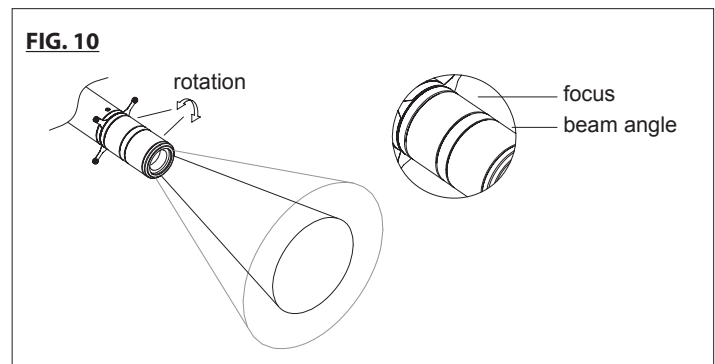
FIXTURE AIMING AND ADJUSTMENT:

Fixture is capable of 90 degree vertical aiming and 360 degree horizontal rotation. (See FIG. 9)

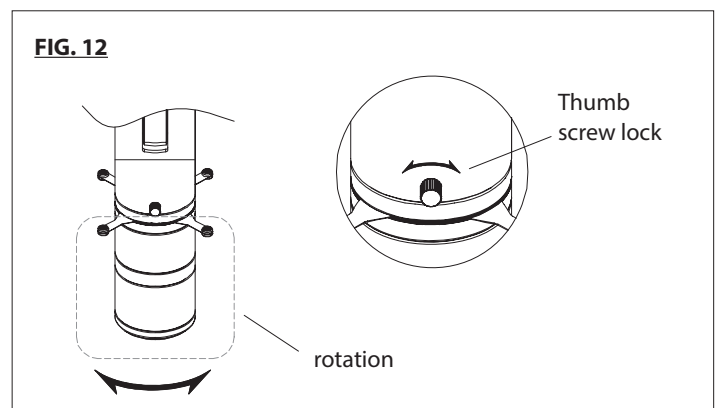
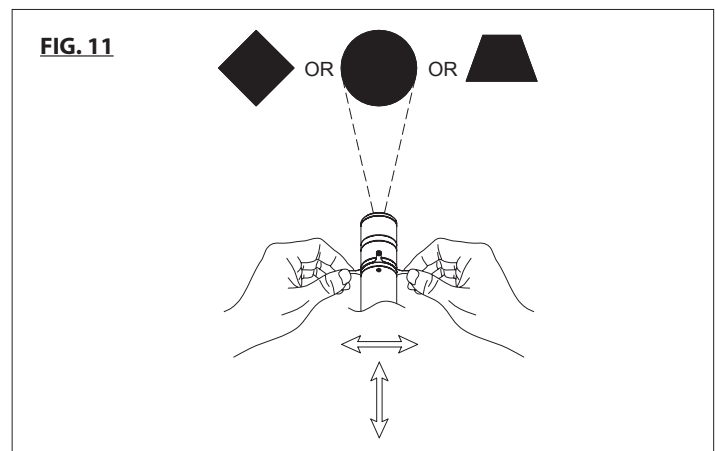


PROJECTOR ADJUSTMENT:

1. Gently support recently turned on fixture body with one hand. Point light directly at the center object to be illuminated.
2. Rotate the fixture dials to zoom and focus light to best effect. (See FIG. 10)



3. To 'frame' an object with light, open the four framing shims outward to the maximum, and then push them inward one by one. Focus can be adjusted after framing. Repeat steps as necessary to achieve best results. (See FIG. 11)
4. To orientate the rotation of the frame or Gobo accessory, loosen the thumb screw, rotate the lens about the fixture body to align. When complete, tighten the thumb screw to fix the lens. (See FIG. 12)



waclighting.com
Phone (800) 526.2588
Fax (800) 526.2585

Headquarters/Eastern Distribution Center
44 Harbor Park Drive
Port Washington, NY 11050

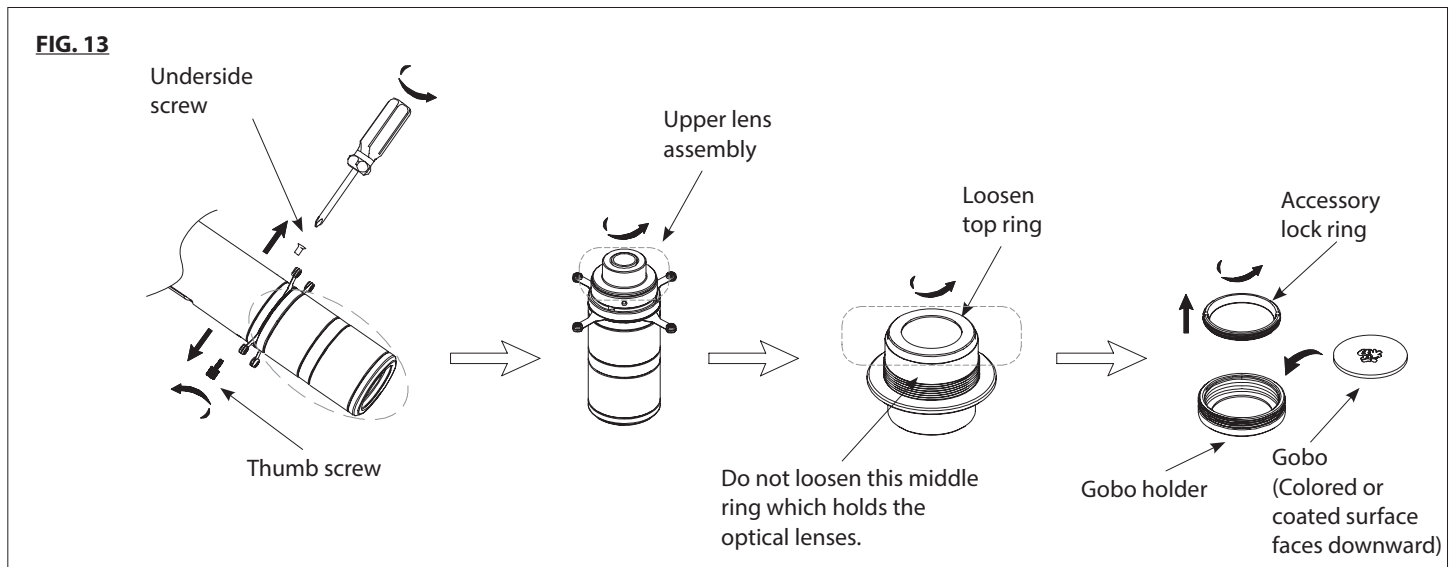
Central Distribution Center
1600 Distribution Ct
Lithia Springs, GA 30122

Western Distribution Center
1750 Archibald Avenue
Ontario, CA 91760



GOBO ACCESSORY INSTALLATION: (Gobos by others, reference spec sheet for size compatibility)

1. With fixture uninstalled, remove the thumbs screw and underside screw to remove projector front assembly.
2. Rotate upper lens counterclockwise to remove it.
3. Rotate gobo holder counterclockwise to remove it.
4. Remove accessory lock ring by rotating it counterclockwise or by tool to remove it.
5. Place Gobo in accessory holder with the colored or coated (less shiny) surface faces downward (further from LED). (See **FIG. 13**)
6. Be sure all surfaces are clean and reverse process to complete installation.



CLEANING AND MAINTENANCE

1. If debris or rough areas appear on projection image, remove projector front assembly (see **FIG. 13**) and gently wipe lenses and internal shims with dust-free or microfiber cloth.