

# INSTALLATION INSTRUCTION

## Volta 2" LED-New Construction Housing Ceiling Adapter for Wood/Metal Ceilings

### SAFETY INSTRUCTION

IMPORTANT: NEVER attempt any work without shutting off the electricity.

- Read all instructions before installing.
- System is intended for installation by a qualified electrician in accordance with the National Electrical Code and local regulations.
- Go to the main fuse box, or circuit breaker. Place the main power switch in the "OFF" position and unscrew the fuse(s) or switch "OFF" the circuit breaker switch(es) that control the power to the fixture or room that you are working on.
- Place the wall switch in the "OFF" position.

### AVERTISSEMENT

IMPORTANT : Coupez l'électricité avant TOUTE manipulation.

- Lisez toutes les instructions avant d'installer.
- Système est destiné à être installé par un électricien qualifié en conformité avec le code national de l'électricité et les règlements locaux.
- Accédez au panneau central de disjoncteurs ou de fusibles de votre demeure et placez l'interrupteur principal en position d'arrêt (« OFF »).
- Placez l'interrupteur mural en position d'arrêt (« OFF »).

### CAUTION:

All parts must be used as indicated in these instructions. Do not substitute any parts, leave parts out, or use any parts that are worn out or broken. Failure to follow could invalidate the ETL/cETL listing of this fixture.

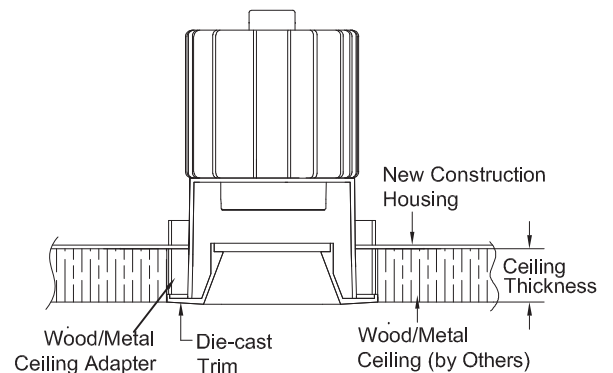
### OVERVIEW:

This instruction is only for new construction housing fixtures (round & square trims) and used in conjunction with the new construction housing and trim instructions provided. Housing requires a ceiling adapter and trim for a finished look. Refer to the below table for ceiling adapter options and specification sheets for compatible trim options.

**Adapter Application Table for Wood or Metal Ceiling**

| Adapter Model                       | Trim Model       | Trim Description         | Ceiling Thickness |                |                |
|-------------------------------------|------------------|--------------------------|-------------------|----------------|----------------|
|                                     |                  |                          | 1/2"              | 1"             | 1 1/2"         |
| R2R-ADP1<br>Round,<br>Up to 1"      | R2RD2T<br>R2RD1T | Downlight                | Yes               | Yes            | N/A            |
|                                     | R2RWT            | Wall Wash                | Yes               | Yes            | N/A            |
|                                     | R2RAT<br>R2RPT   | Adjustable/<br>Pin Hole  | Yes<br>to 45°     | Yes<br>to 45°  | N/A            |
| R2R-ADP2<br>Round,<br>Up to 1 1/2"  | R2RD2T<br>R2RD1T | Downlight                | Yes               | Yes            | Yes            |
|                                     | R2RWT            | Wall Wash                | No                | No             | No             |
|                                     | R2RAT<br>R2RPT   | Adjustable/<br>Pin Hole  | Yes,<br>to 30°    | Yes,<br>to 30° | Yes,<br>to 30° |
| R2S-ADP1<br>Square<br>Up to 1"      | R2SD2T<br>R2SD1T | Downlight                | Yes               | Yes            | N/A            |
|                                     | R2SWT            | Wall Wash                | Yes               | Yes            | N/A            |
|                                     | R2SAT<br>R2SPT   | Adjustable<br>/Pin Hole  | Yes<br>to 45°     | Yes<br>to 45°  | N/A            |
| R2S-ADP2<br>Square,<br>Up to 1 1/2" | R2SD2T<br>R2SD1T | Downlight                | Yes               | Yes            | Yes            |
|                                     | R2SWT            | Wall Wash                | No                | No             | No             |
|                                     | R2SAT<br>R2SPT   | Adjustable<br>/ Pin Hole | Yes,<br>to 30°    | Yes,<br>to 30° | Yes,<br>to 30° |

**Trim Installation Overview**



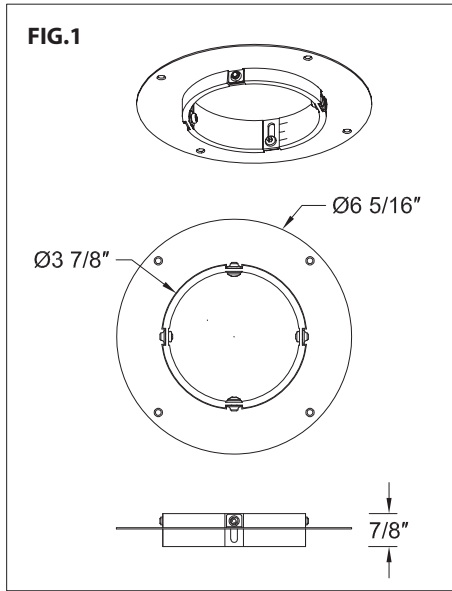
INSTALLATION INSTRUCTION  
**Volta 2" LED-New Construction Housing**  
**Ceiling Adapter for Wood/Metal Ceilings**

**CEILING ADAPTER INSTALLATION**

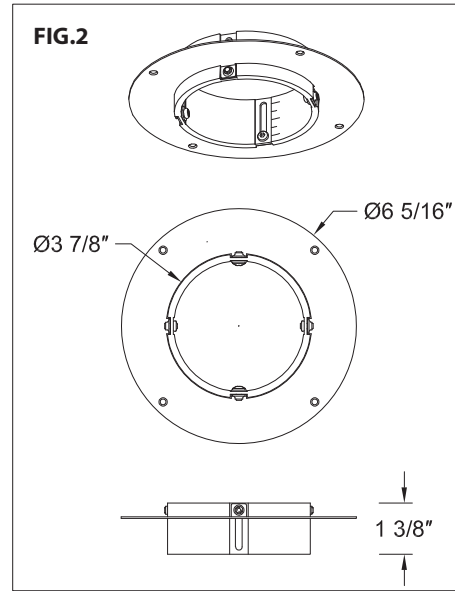
Install the ceiling adapter into the housing PRIOR to housing and ceiling installation. Check the standard instructions of new construction housing for the information of housing installation and power connection.

**Overall Ceiling Adapter Dimensions**

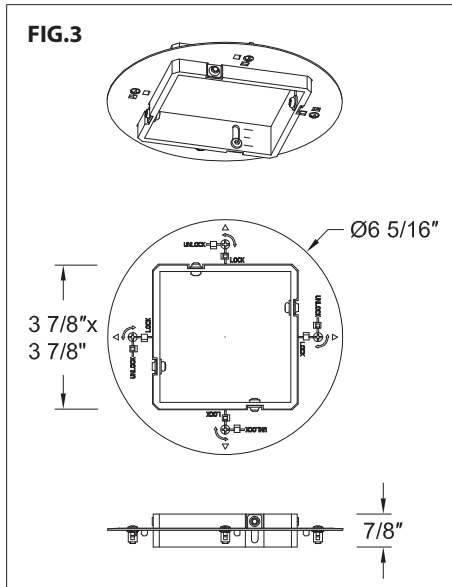
**R2R-ADP1**



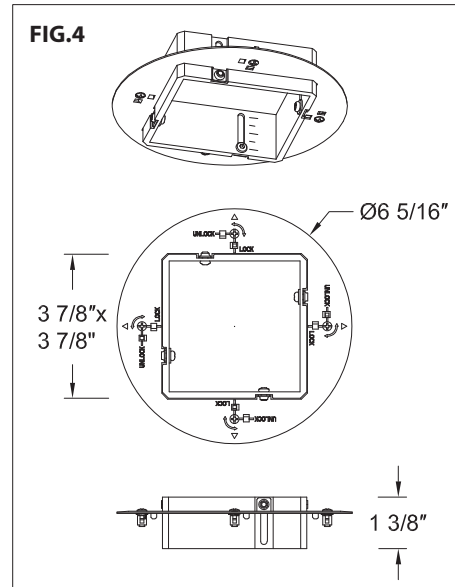
**R2R-ADP2**



**R2S-ADP1**



**R2S-ADP2**



# INSTALLATION INSTRUCTION

## Volta 2" LED-New Construction Housing Ceiling Adapter for Wood/Metal Ceilings

### 1. Set up the ceiling adapter according to the thickness of wood/metal ceiling.

- Use the L-shape Allen wrench key supplied to loosen two Allen key screws on adapter inside surface.
- Move the adapter ring up or down against the adapter plate until the Allen key screw reach the scale which shows the desired ceiling thickness (See FIG.5).

Note: on FIG.5, figures for ceiling thickness are only for reference and not shown on the real part.

- Once in desired position, ensure the top & bottom surfaces of the adapter ring are parallel to the adapter plate. Securely tighten Allen key screws.

### 2. Replace the preinstalled housing aperture plate by the ceiling adapter.

For Round Trims:

- Loosen the mounting screws on the aperture plate, and discard the aperture plate.
- Install the ceiling adapter on the same location of aperture plate, align mounting holes on adapter with screw holes on housing and fasten adapter by four screws supplied (See FIG.6).

For Square Trims:

- Loosen the aperture plate according to the instruction of new construction square housing and discard the aperture plate.
- Position all locking screws on adapter at unlock positions. Put the ceiling adapter on the same location of aperture plate and align it with the desired angle. Rotate the four locking screws to locking positions on adapter according to rotation arrows to lock the ceiling adapter on housing. Confirm adapter is secured (See FIG.7 & 8).

FIG.5

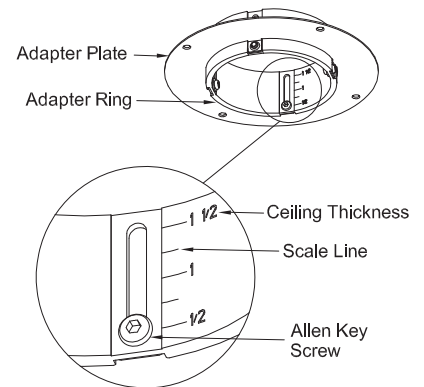


FIG.6

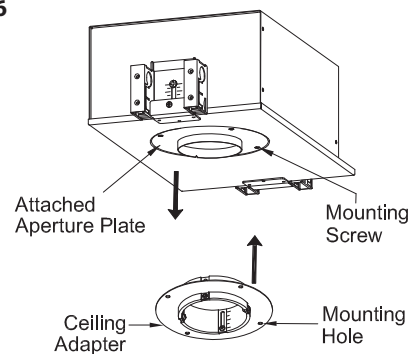


FIG.7

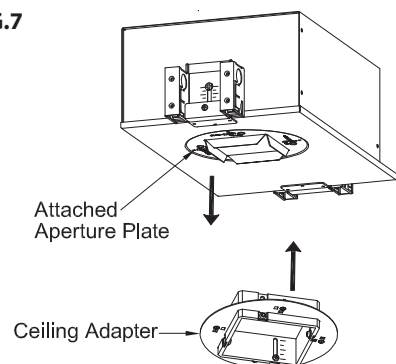
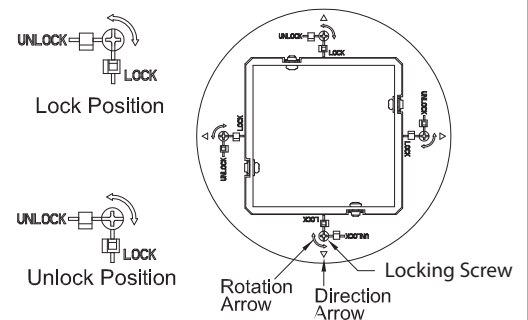


FIG.8

Unlock and Adjust Angle for Adapter



## INSTALLATION INSTRUCTION

### Volta 2" LED-New Construction Housing Ceiling Adapter for Wood/Metal Ceilings

WAC LIGHTING

Responsible Lighting®

#### HOUSING INSTALLATION AND POWER CONNECTION

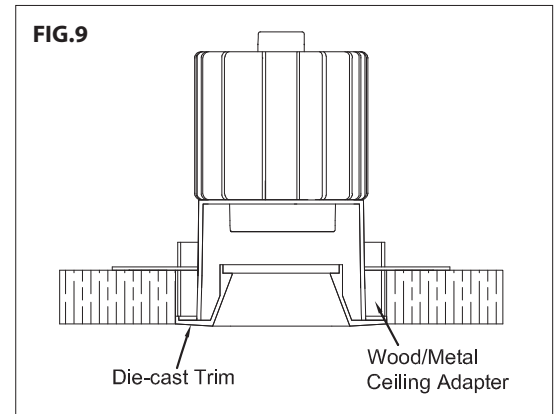
Follow the installation instruction of new construction housing provided with fixture to complete housing installation and power connection.

#### WOOD/METAL CEILING OPENING

Cut a 3 15/16" diameter hole in the ceiling for the round trim and a 3 15/16" x 3 15/16" square hole for the square trim, then install ceiling.

#### INSTALL AND SET THE TRIM

1. After ceiling installation, insert the trim and trim assembly into the ceiling adapter and ceiling opening by following the related trim instruction. Be sure to connect retaining cable.
2. Make sure the trim is flush to the ceiling opening (**See FIG.9**). If not, take the trim and trim assembly out, adjust the ceiling adapter up or down by using Allen wrench key to loosen Allen key screws, then reinstall the trim and trim assembly.



waclighting.com  
Phone (800) 526.2588  
Fax (800) 526.2585

Headquarters/Eastern Distribution Center  
44 Harbor Park Drive  
Port Washington, NY 11050

Central Distribution Center  
1600 Distribution Ct  
Lithia Springs, GA 30122

Western Distribution Center  
1750 Archibald Avenue  
Ontario, CA 91760