

INSTALLATION INSTRUCTION

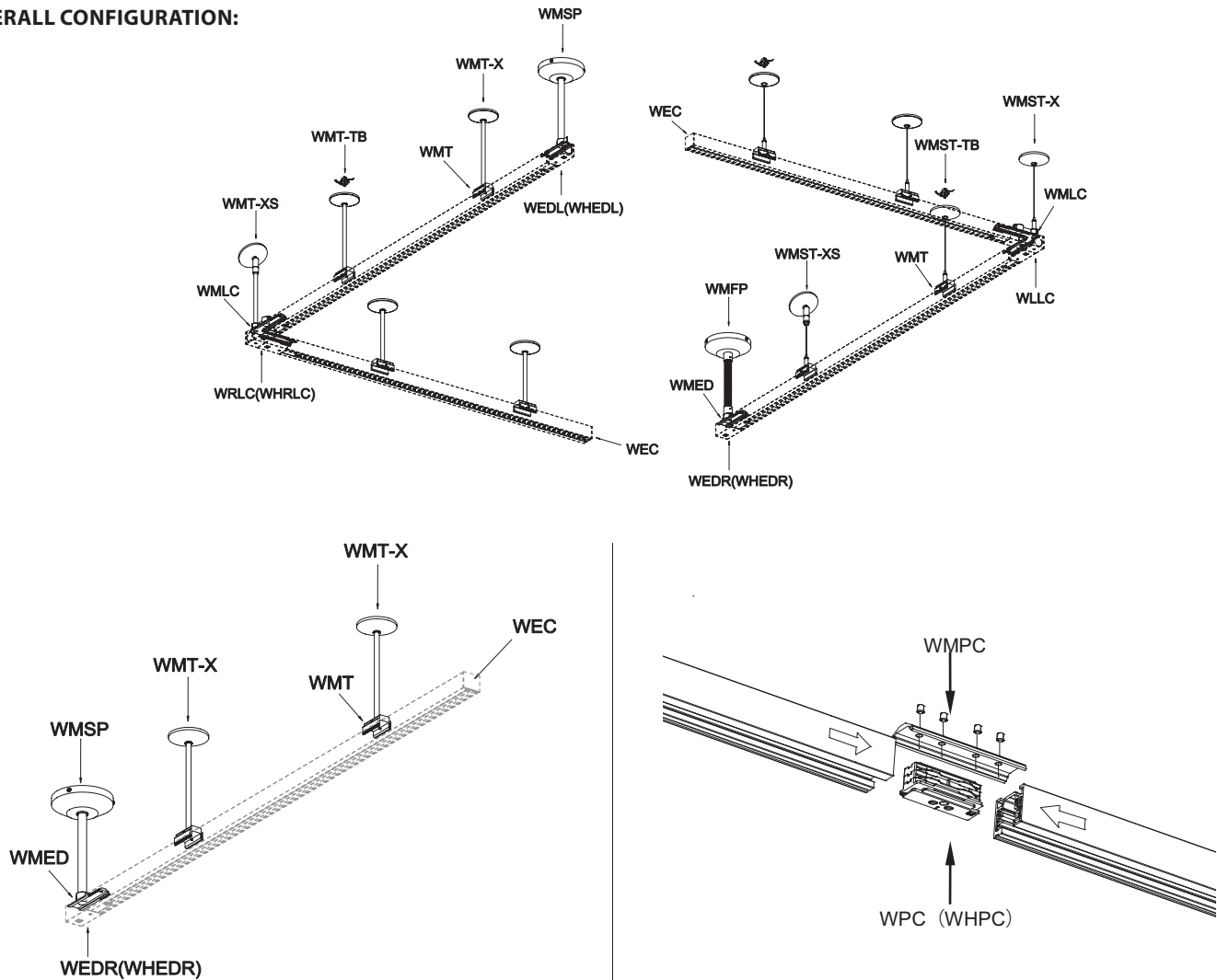
W Track Suspension system

WAC LIGHTING
Responsible Lighting®

SAFETY INSTRUCTIONS:

- Suspension mounting system should be installed by a qualified electrician only.
- System is intended for installation in accordance with National Electric Code, local and Federal code specifications.
- To reduce the risk of fire, electrical shock, and injuries to persons:
 - Read all instructions.
 - Turn off power at main switch before installing or modifying the system.
 - Do not install within six inches of any curtain or combustible materials.
 - Do not install less than 5 feet above a floor.
 - Do not install in damp or wet locations.
 - Do not install concealed, or extended through building walls.
 - Do not attempt to energize anything other than a track light fixture.
 - Do not load to more than 20 amps per circuit.
 - Do not exceed 4 feet between mounting points.
 - These systems are suitable for WT/WHT track system only.
 - Save these installation instructions and refer to them when additions or changes to the track configuration are made.

OVERALL CONFIGURATION:



WAC Lighting
www.waclighting.com
Phone (800) 526.2588 • Fax (800) 526.2585

Headquarters/Eastern Distribution Center
44 Harbor Park Drive • Port Washington, NY 11050
Phone (516) 515.5000 • Fax (516) 515.5050

Western Distribution Center
1750 Archibald Ave • Ontario, CA 91761
Phone (800) 526.2588 • Fax (800) 526.2585

INSTALLATION INSTRUCTION

W Track Suspension system

WAC LIGHTING
Responsible Lighting®

SUSPENSION MOUNTING OPTIONS:

Generally, for any mounting method, do not exceed 4 feet between each mounting point, and do not exceed 6 inches (for 4 feet track or less in length) or 12 inches (for track that is greater than 4 feet) from each end of the single track section. Always use two or more mounting supports for each track length.

- Mounting system shall be capable of being mounted to flat, sloped or T-bar ceiling structures.
- Mounting stems shall be capable of being field cut to length. All cable systems are adjustable.
- All stem systems shall be available in either 6 inch, 12 inch, 24 inch, 36 inch, 48 inch or 96 inch standard lengths. All cable systems shall be available in either 48 inch or 96 inch standard lengths.
- Space the suspension supports evenly along the track. Recommended: (2) per 4 feet of track, (3) per 8 feet of track, and (4) per 12 feet of track, additional suspension supports may be added for heavier loads.

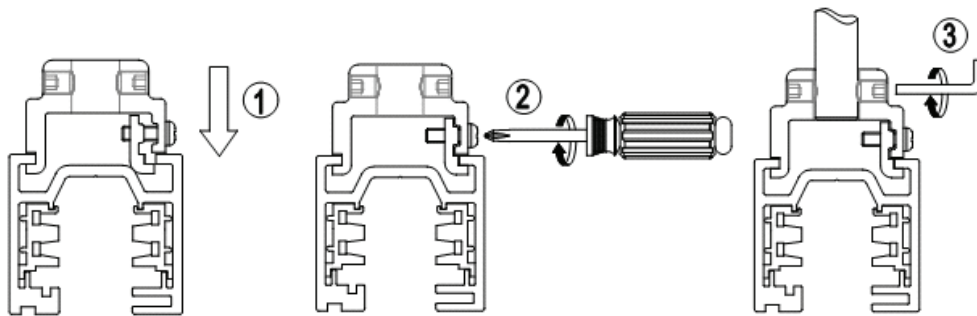
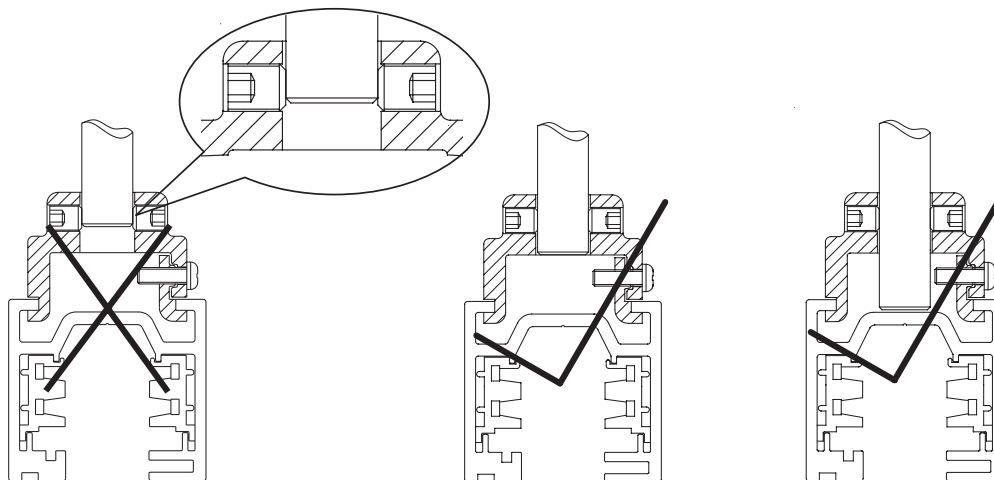


FIG.A. INSTALLATION STEPS FOR HANGER CLIP

ATTENTION:

- It is the user's responsibility to ensure the electrical, mechanical and thermal compatibility of the track system and the fittings.
- The mounting stem should be inserting completely through the hole of the hanger clip.



WAC Lighting
www.waclighting.com
Phone (800) 526.2588 • Fax (800) 526.2585

Headquarters/Eastern Distribution Center
44 Harbor Park Drive • Port Washington, NY 11050
Phone (516) 515.5000 • Fax (516) 515.5050

Western Distribution Center
1750 Archibald Ave • Ontario, CA 91761
Phone (800) 526.2588 • Fax (800) 526.2585

INSTALLATION INSTRUCTION
W Track Suspension system

WAC LIGHTING
 Responsible Lighting®

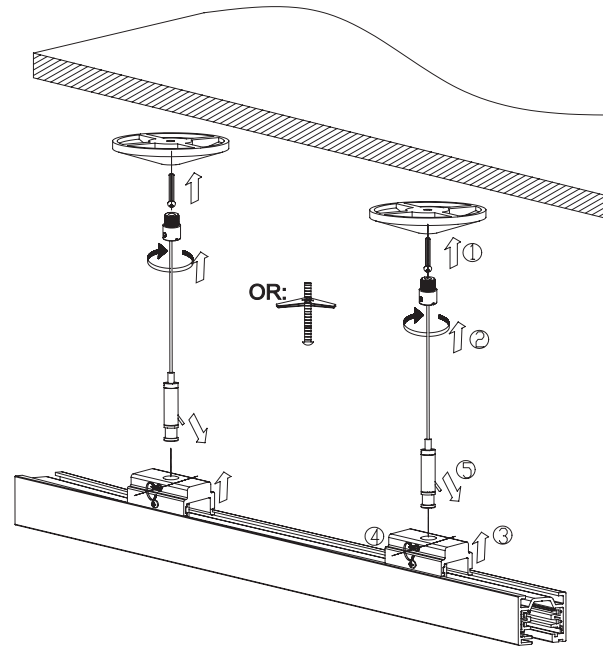
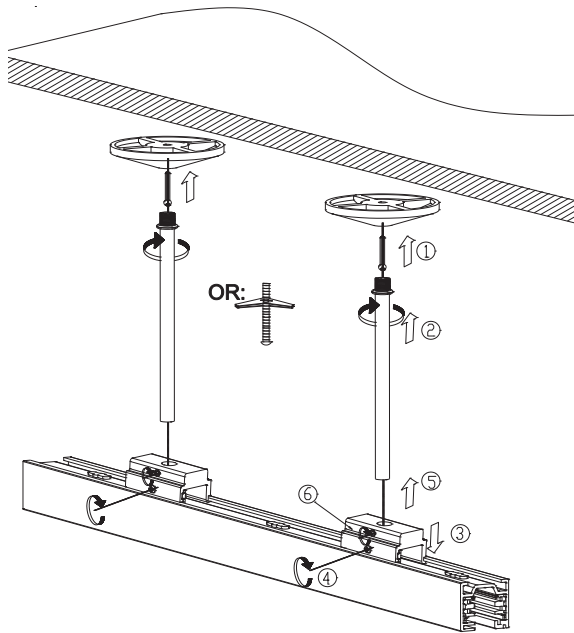


Fig B: Stem mounting with self-tapping screw or butterfly nut to flat ceiling

Fig C: Cable mounting with self-tapping screw or butterfly nut to flat ceiling

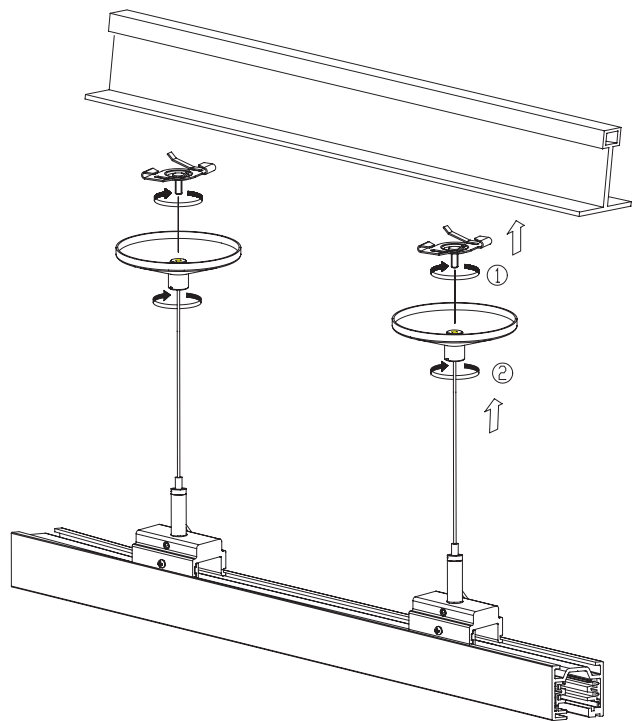
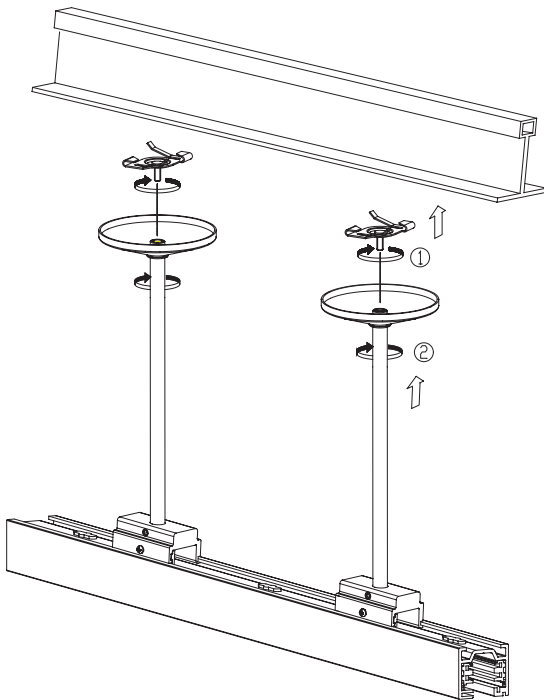


Fig D: Stem mounting with T-bar clip to T-bar ceiling

Fig E: Cable mounting with T-bar clip to T-bar ceiling

WAC Lighting
 www.waclighting.com
 Phone (800) 526.2588 • Fax (800) 526.2585

Headquarters/Eastern Distribution Center
 44 Harbor Park Drive • Port Washington, NY 11050
 Phone (516) 515.5000 • Fax (516) 515.5050

Western Distribution Center
 1750 Archibald Ave • Ontario, CA 91761
 Phone (800) 526.2588 • Fax (800) 526.2585

INSTALLATION INSTRUCTION

W Track Suspension system

WAC LIGHTING
Responsible Lighting®

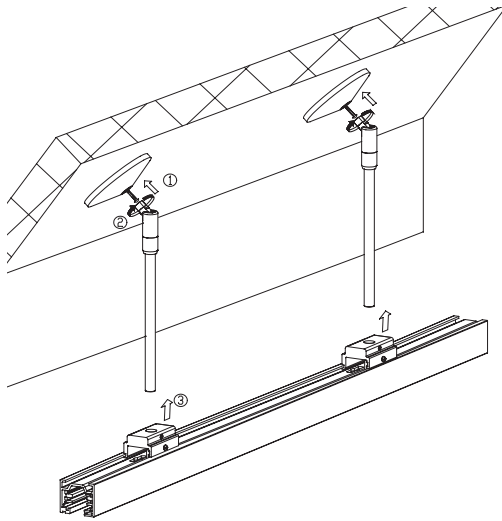


Fig F: Stem mounting with self-tapping screw to sloping ceiling

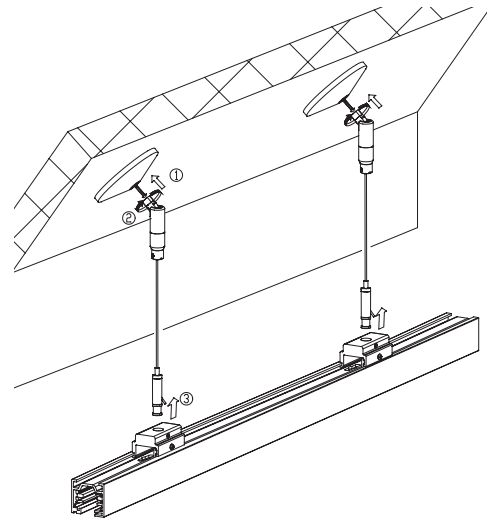


Fig G: Cable mounting with self-tapping screw to sloping ceiling

POWER FEED WIRE COUPLING:

- Make sure power is off before wiring.
 - Note the polarity indicator and connect wire to track connector first (Refer to the specifications of WT/WHT track system).
 - Power can be fed down to an End Feed or any other track connector, except the mini coupler (WPC/WHPC).
1. Loosen canopy screws, separate canopy plate and base plate.
 2. Remove knock out and route wires through base plate.
 3. Connect two live wires (black) from building to black system wires. Connect two neutral wires (white) from building to white system wires. The green wire is the ground wire to be connected with the ceiling ground wire.
 4. Secure all connections with wire nuts and tuck excess wire back into the junction box.
 5. Secure the base plate to the junction box, with two screws through the slotted holes.
 6. Replace the canopy and secure to the base plate.

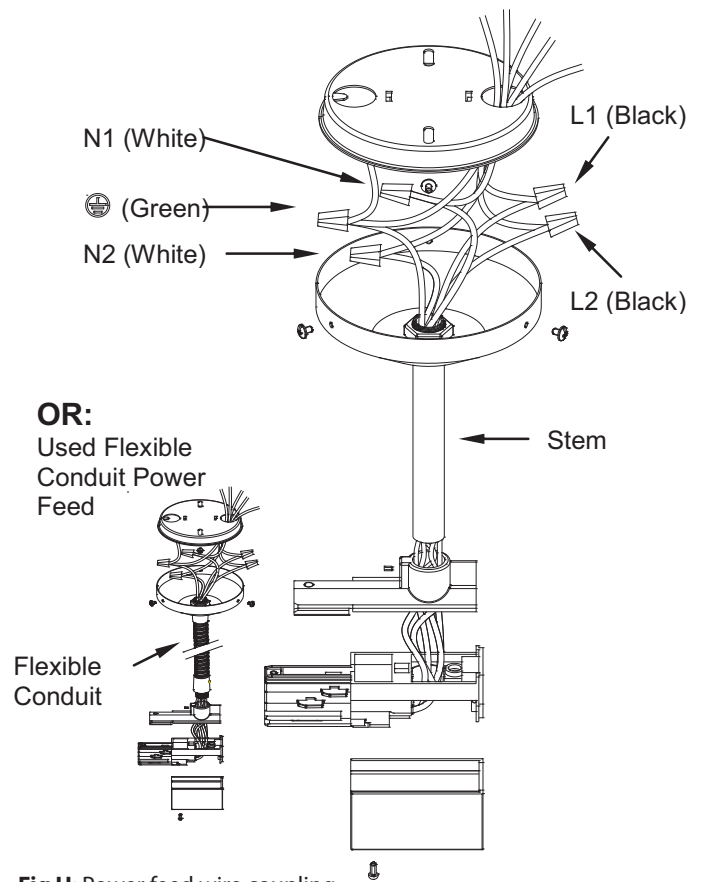


Fig H: Power feed wire coupling

MOUNTING DEVICES FOR SUSPENSION:

Mounting devices for suspension shall be capable of being mounted for mechanical strengthening or power feed, except WMED which is only for power feed and WMPC which is only for mechanical strengthening mounting.

WAC Lighting
www.waclighting.com
Phone (800) 526.2588 • Fax (800) 526.2585

Headquarters/Eastern Distribution Center
44 Harbor Park Drive • Port Washington, NY 11050
Phone (516) 515.5000 • Fax (516) 515.5050

Western Distribution Center
1750 Archibald Ave • Ontario, CA 91761
Phone (800) 526.2588 • Fax (800) 526.2585

INSTALLATION INSTRUCTION
W Track Suspension system

WAC LIGHTING
 Responsible Lighting®

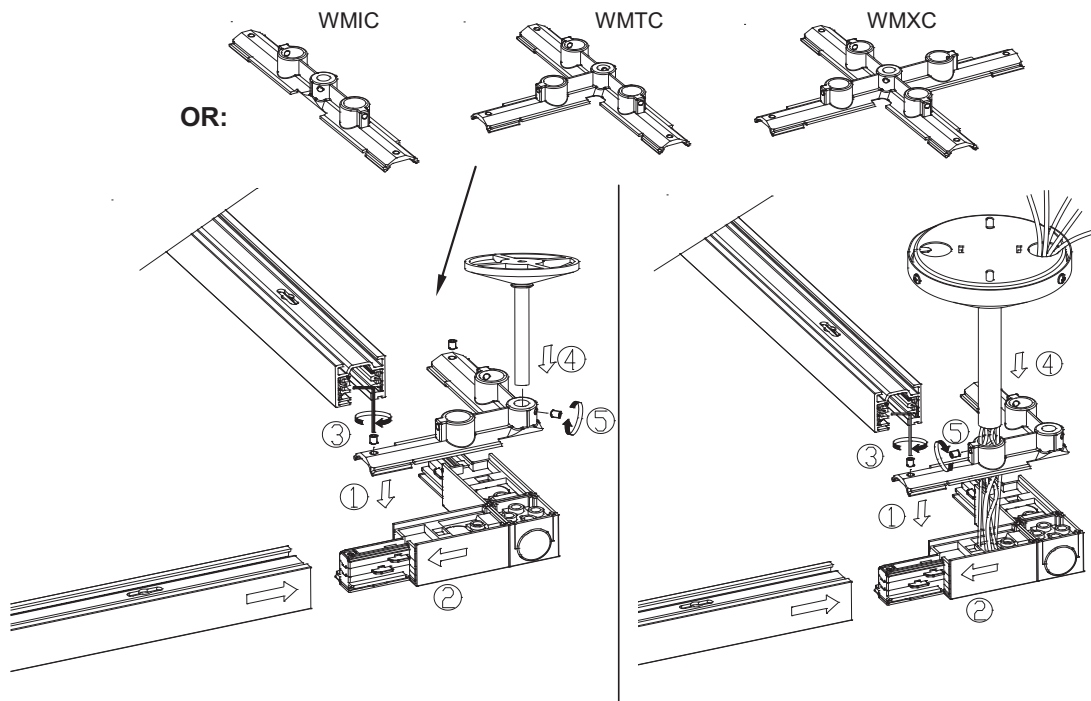


Fig I: Used for stem/cable mechanical mounting

Fig J: Used for power feed

MAXIMUM LOAD:

The drawings show the maximum permissible mechanical load by 2-circuit WT/WHT track for luminaires or other loads in relationship to the fixation or suspension point. It includes both weights of the track systems.

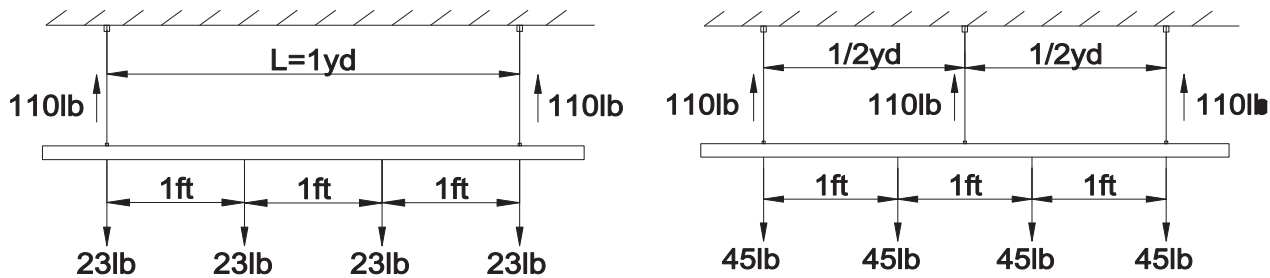


Fig K: Maximum mechanical load

WAC Lighting
 www.waclighting.com
 Phone (800) 526.2588 • Fax (800) 526.2585

Headquarters/Eastern Distribution Center
 44 Harbor Park Drive • Port Washington, NY 11050
 Phone (516) 515.5000 • Fax (516) 515.5050

Western Distribution Center
 1750 Archibald Ave • Ontario, CA 91761
 Phone (800) 526.2588 • Fax (800) 526.2585