

2" SURFACE INDICATOR SQUARE

2551

WAC

LANDSCAPE LIGHTING

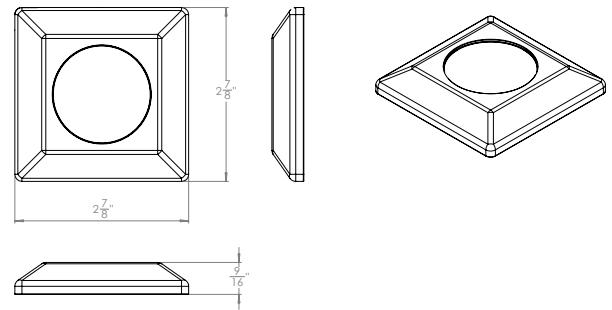


Fixture Type:

Catalog Number:

Project: _____

Location: _____



PRODUCT DESCRIPTION

LED Landscape surface mount indicator luminaire for both soft and hard ground applications. The indicator light is perfect for outdoor applications, including wells and ponds, decks and patios, inground, as well as ceiling and wall applications.

FEATURES

- Slim low profile design-surface mount installation
- IP68 rated, Suitable for continuous immersion under water
- Factory sealed water tight fixtures
- Solid stainless steel construction
- 10' lead wire and direct burial gel filled wire nuts included
- Maintains constant lumen output against voltage drop
- UL 1838 Listed
- MLV dimmable with remote MLV dimmer

SPECIFICATIONS

- Input:** 9 - 15VAC (Transformer is required)
- Power:** 3.5W / 3.6VA (Use VA value for sizing the transformer and calculate voltage drop.)
- Brightness:** 160lm
- Beam Angle:** 100°
- CRI:** 85
- Rated Life:** 60,000 hours

ORDERING NUMBER

		Color Temp	Finish
2551	Square	27 2700K	BS Bronzed Stainless Steel
		30 3000K	SS Stainless Steel

2551-30 _____

Example: **2551-30SS**

wacighting.com

Phone (800) 526.2588

Fax (800) 526.2585

Headquarters, East Manufacturing Facility

44 Harbor Park Drive

Port Washington, NY 11050

South East Manufacturing Facility

1600 Distribution Ct

Lithia Springs, GA 30122

Central Manufacturing Facility

1700 South J Elmer Freeway, Ste 100

Cedar Hill, TX 75104

West Manufacturing Facility

1750 S Archibald Ave

Ontario, CA 91761

2" SURFACE INDICATOR SQUARE

2551

WAC

LANDSCAPE LIGHTING

Magnetic Transformers



*Stainless Steel, 12-15V output,
IP65 rated, UL 1838 listed
See transformer spec sheet for
details and its accessories*

9075-TRN-SS

75W Max

9150-TRN-SS

150W Max

9300-TRN-SS

300W Max

9600-TRN-SS

600W Max

wacighting.com

Phone (800) 526.2588

Fax (800) 526.2585

Headquarters, East Manufacturing Facility

44 Harbor Park Drive

Port Washington, NY 11050

South East Manufacturing Facility

1600 Distribution Ct

Lithia Springs, GA 30122

Central Manufacturing Facility

1700 South J Elmer Freeway, Ste 100

Cedar Hill, TX 75104

West Manufacturing Facility

1750 S Archibald Ave

Ontario, CA 91761