

# 2" SURFACE INDICATOR Bi-DIRECTIONAL 2571

# WAC LANDSCAPE LIGHTING

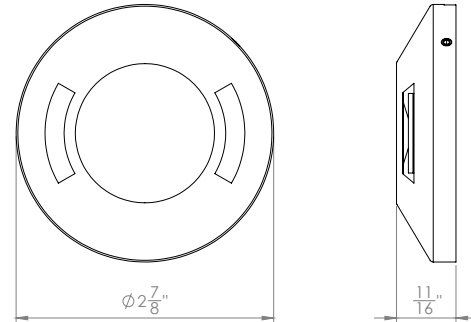


Fixture Type:

Catalog Number:

Project: \_\_\_\_\_

Location: \_\_\_\_\_



## PRODUCT DESCRIPTION

LED Landscape surface mount indicator luminaire for both soft and hard ground applications. The indicator light is perfect for outdoor applications, including wells and ponds, decks and patios, inground, as well as ceiling and wall applications.

## FEATURES

- Slim low profile design-surface mount installation
- IP68 rated, Suitable for continuous immersion under water
- Factory sealed water tight fixtures
- Solid stainless steel construction
- 10' lead wire and direct burial gel filled wire nuts included
- Maintains constant lumen output against voltage drop
- UL 1838 Listed
- MLV dimmable with remote MLV dimmer

## SPECIFICATIONS

- Input:** 9 - 15VAC (Transformer is required)  
**Power:** 2.8W / 3.2 VA (Use VA value for sizing the transformer and calculate voltage drop.)  
**Brightness:** 5lm  
**Beam Angle:** 180°  
**CRI:** 85  
**Rated Life:** 60,000 hours

## ORDERING NUMBER

		Color Temp	Finish
<b>2571</b>	<i>Bi-Directional</i>	<b>27</b> 2700K	<b>BS</b> <i>Bronzed Stainless Steel</i>
		<b>30</b> 3000K	<b>SS</b> <i>Stainless Steel</i>

**2571-30** \_\_\_\_\_

Example: **2571-30SS**

wacighting.com

Phone (800) 526.2588

Fax (800) 526.2585

Headquarters, East Manufacturing Facility

44 Harbor Park Drive

Port Washington, NY 11050

South East Manufacturing Facility

1600 Distribution Ct

Lithia Springs, GA 30122

Central Manufacturing Facility

1700 South J Elmer Freeway, Ste 100

Cedar Hill, TX 75104

West Manufacturing Facility

1750 S Archibald Ave

Ontario, CA 91761

# 2" SURFACE INDICATOR Bi-DIRECTIONAL 2571

WAC  
LANDSCAPE LIGHTING

## Magnetic Transformers



*Stainless Steel, 12-15V output,  
IP65 rated, UL 1838 listed  
See transformer spec sheet for  
details and its accessories*

**9075-TRN-SS**  
75W Max

**9150-TRN-SS**  
150W Max

**9300-TRN-SS**  
300W Max

**9600-TRN-SS**  
600W Max

**wacighting.com**

Phone (800) 526.2588

Fax (800) 526.2585

**Headquarters, East Manufacturing Facility**

44 Harbor Park Drive

Port Washington, NY 11050

**South East Manufacturing Facility**

1600 Distribution Ct

Lithia Springs, GA 30122

**Central Manufacturing Facility**

1700 South J Elmer Freeway, Ste 100

Cedar Hill, TX 75104

**West Manufacturing Facility**

1750 S Archibald Ave

Ontario, CA 91761