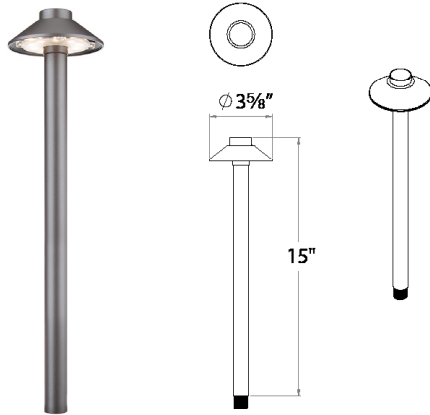


# INTERPATH LED AREA LIGHT

6511

# WAC

## LANDSCAPE LIGHTING



Fixture Type:

Catalog Number:

Project: \_\_\_\_\_

Location: \_\_\_\_\_

### PRODUCT DESCRIPTION

Sturdy side mount design works well in applications where directional illumination is desired. Simple design with small form factor, natural fit to any landscapes.

### FEATURES

- IP66 rated, Protected against powerful water jets
- Factory sealed water tight fixtures
- Solid diecast corrosion resistant aluminum alloy
- Recommended spacing for installation: Residential: 4 to 6 ft; Commercial: 3 to 4ft
- Mounting stake, 6 foot lead wire, and direct burial gel filled wire nuts are included
- Maintains constant lumen output against voltage drop
- UL & cUL 1838 Listed

### SPECIFICATIONS

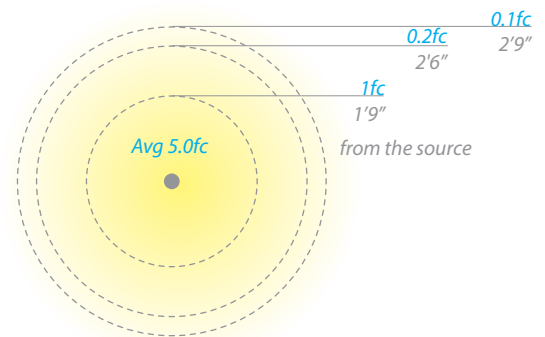
- Input:** 9-15VAC (Transformer is required)
- Power:** 2.5W / 2.7VA (Use VA value for sizing the transformer and calculate voltage drop.)
- Brightness:** Up to 100 lm
- CRI:** 90+
- Rated Life:** 60,000 hours

### ORDERING NUMBER

		Color Temp	Finish
6511	<i>Interpath</i>	27 2700K Warm White	<b>BBR</b> Bronze on Brass
		30 3000K Pure White	<b>BZ</b> Bronze on Aluminum
			<b>BK</b> Black on Aluminum

6511-\_\_\_BK

Example: 6041-30BK



wacighting.com

Phone (800) 526.2588

Fax (800) 526.2585

Headquarters, East Manufacturing Facility

44 Harbor Park Drive

Port Washington, NY 11050

South East Manufacturing Facility

1600 Distribution Ct

Lithia Springs, GA 30122

Central Manufacturing Facility

1700 South J Elmer Freeway, Ste 100

Cedar Hill, TX 75104

West Manufacturing Facility

1750 S Archibald Ave

Ontario, CA 91761

# INTERPATH LED AREA LIGHT

6511

# WAC

## LANDSCAPE LIGHTING

### Surface Mount Flange/Stake



*Includes three 7 inch threaded stainless steel stabilizing pins for ground mounting or surface mounts with four screws or over a junction box*

**5000-SCP-BZ**  
*Bronze on Aluminum*



### Guardian Mount

*Heavy duty stainless steel spike to position fixture.  
Formed from a single piece of metal*

**9000-SP9-BZ**  
*Stainless Steel*

### Additional Mounting Stake



**9000-ST9-BK**  
*Durable PVC stake*

### Magnetic Transformers

*Stainless Steel, 12-15V output, IP65 rated, UL 1838 listed  
See transformer spec sheet for details and its accessories*

**9075-TRN-SS**  
*75W Max*

**9150-TRN-SS**  
*150W Max*

**9300-TRN-SS**  
*300W Max*

**9600-TRN-SS**  
*600W Max*



wacighting.com

Phone (800) 526.2588  
Fax (800) 526.2585

**Headquarters, East Manufacturing Facility**  
44 Harbor Park Drive  
Port Washington, NY 11050

**South East Manufacturing Facility**  
1600 Distribution Ct  
Lithia Springs, GA 30122

**Central Manufacturing Facility**  
1700 South J Elmer Freeway, Ste 100  
Cedar Hill, TX 75104

**West Manufacturing Facility**  
1750 S Archibald Ave  
Ontario, CA 91761