

# R1GNT, R1GNL

## Multi Stealth New Construction DL /WW Housing



### SPECIFICATIONS

**Input** Universal 120-277 VAC 50/60 Hz

**Standards:** ETL & cETL, Non-IC, IC-rated, Airtight (see below for list)

**Dimming:** Electronic Low Voltage (ELV), TRIAC: 100%-5%  
0-10V: 100-1%

**Mounting:** New construction housings included with universal mounting brackets and hanger bars  
Ceiling thickness: 1/2" - 1 1/2"  
See next page for ceiling cutout dimensions.

**Construction:** 20 Gauge galvanized sheet

**Warranty:** 5 year WAC Lighting product warranty

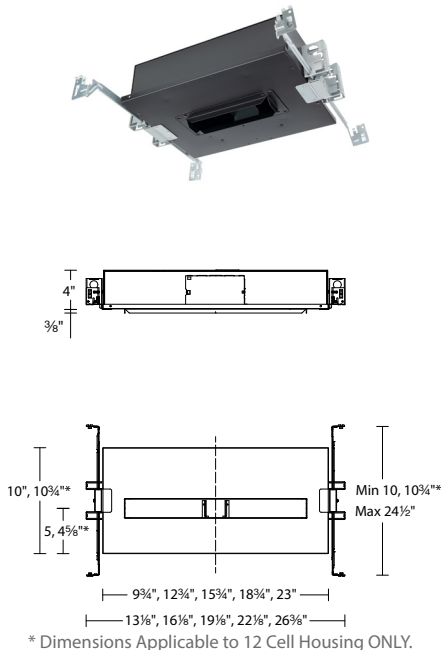
Fixture Type:

Catalog Number:

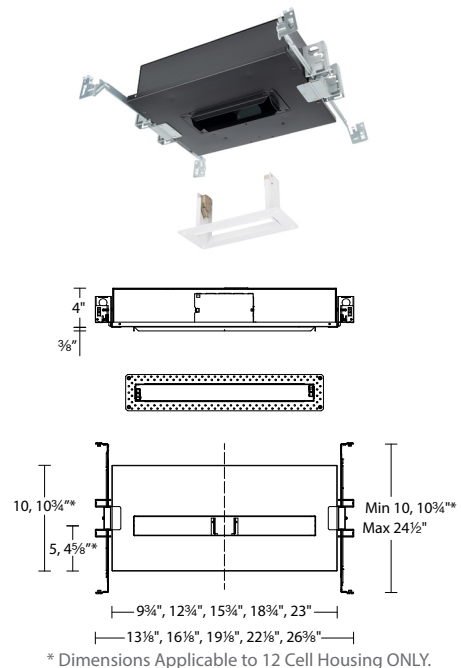
Project: \_\_\_\_\_

Location: \_\_\_\_\_

**New Construction Trimmed**  
*Downlight & Wall Wash*



**New Construction Trimless**  
*Downlight & Wall Wash*



Model	Size	Wattage	Rating	Compatible Trims
<b>R1GNT</b> <i>New Construction, Trimmed</i> <i>Downlight &amp; Wall Wash</i>	<b>02</b> 2 Cell	8W	IC, Airtight	R1GDT02
	<b>04</b> 4 Cell	14W	IC, Airtight	R1GDT04, R1GWT04
	<b>06</b> 6 Cell	20W	IC, Airtight	R1GDT06
	<b>08</b> 8 Cell	27W	IC, Airtight	R1GDT08, R1GWT08
	<b>12</b> 12 Cell	38W	Non-IC, Airtight	R1GDT12, R1GWT12
<b>R1GNL</b> <i>New Construction, Trimless</i> <i>Downlight &amp; Wall Wash</i>	<b>02</b> 2 Cell	8W	IC, Airtight	R1GDL02
	<b>04</b> 4 Cell	14W	IC, Airtight	R1GDL04, R1GWL04
	<b>06</b> 6 Cell	20W	IC, Airtight	R1GDL06
	<b>08</b> 8 Cell	27W	IC, Airtight	R1GDL08, R1GWL08
	<b>12</b> 12 Cell	38W	Non-IC, Airtight	R1GDL12, R1GWL12

### R1GN

Example: **R1GNT04**

waclighting.com  
Phone (800) 526.2588  
Fax (800) 526.2585

Headquarters/Eastern Distribution Center  
44 Harbor Park Drive  
Port Washington, NY 11050

Central Distribution Center  
1600 Distribution Ct  
Lithia Springs, GA 30122

Western Distribution Center  
1750 Archibald Avenue  
Ontario, CA 91760

# R1GNT, R1GNL

## Multi Stealth New Construction DL/WW Housing



### CEILING CUTOUT AND TRIM COMPATIBILITY

HOUSING MODEL	HOUSING DESCRIPTION	TRIM MODEL	TRIM DESCRIPTION	CUTOUT DIMENSION
R1GNT02	2 CELL NC HOUSING (TRIM)	R1GDT02	2 CELL DOWNLIGHT (TRIM)	3 3/4" x 2 1/16"
R1GNL02	2 CELL NC HOUSING (TRIMLESS)	R1GDL02	2 CELL DOWNLIGHT (TRIMLESS)	
R1GNT04	4 CELL NC HOUSING (TRIM)	R1GDT04	4 CELL DOWNLIGHT (TRIM)	6 3/4" x 2 1/16"
		R1GWT04	4 CELL WALL WASH (TRIM)	
R1GNL04	4 CELL NC HOUSING (TRIMLESS)	R1GDL04	4 CELL DOWNLIGHT (TRIMLESS)	
		R1GWL04	4 CELL WALL WASH (TRIMLESS)	
R1GNT06	6 CELL NC HOUSING (TRIM)	R1GDT06	6 CELL DOWNLIGHT (TRIM)	9 3/4" x 2 1/16"
R1GNL06	6 CELL NC HOUSING (TRIMLESS)	R1GDL06	6 CELL DOWNLIGHT (TRIMLESS)	
R1GNT08	8 CELL NC HOUSING (TRIM)	R1GDT08	8 CELL DOWNLIGHT (TRIM)	12 11/16" x 2 1/16"
		R1GWT08	8 CELL WALL WASH (TRIM)	
R1GNL08	8 CELL NC HOUSING (TRIMLESS)	R1GDL08	8 CELL DOWNLIGHT (TRIMLESS)	
		R1GWL08	8 CELL WALL WASH (TRIMLESS)	
R1GNT12	12 CELL NC HOUSING (TRIM)	R1GDT12	12 CELL DOWNLIGHT (TRIM)	18 5/8" x 2 1/16"
		R1GWT12	12 CELL WALL WASH (TRIM)	
R1GNL12	12 CELL NC HOUSING (TRIMLESS)	R1GDL12	12 CELL DOWNLIGHT (TRIMLESS)	
		R1GWL12	12 CELL WALL WASH (TRIMLESS)	

#### Abbreviations:

NC - New Construction

waclighting.com  
Phone (800) 526.2588  
Fax (800) 526.2585

Headquarters/Eastern Distribution Center  
44 Harbor Park Drive  
Port Washington, NY 11050

Central Distribution Center  
1600 Distribution Ct  
Lithia Springs, GA 30122

Western Distribution Center  
1750 Archibald Avenue  
Ontario, CA 91760