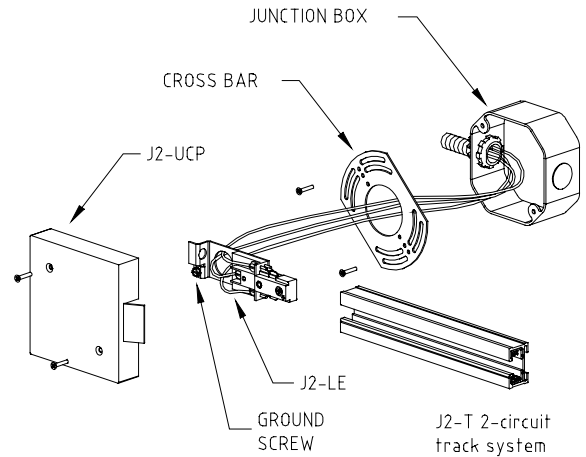


# INSTRUCTIONS: J Series 2 Circuit Track

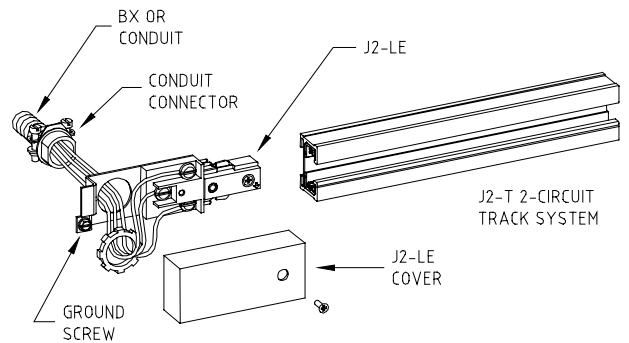
- Always turn off power at fuse box prior to installation to prevent electrical shock.
- Do not install in damp or wet locations. Do not install less than 5 feet from the floor if suspended or mounted on the wall.
- Do not attempt to energize anything other than a track lighting fixture on the track.

## ELECTRICAL FEED FROM A JUNCTION BOX

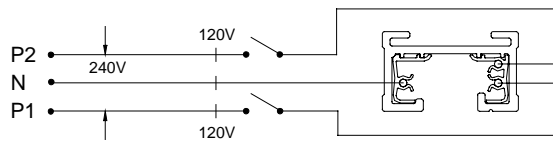
1. Parts J2-LE and J2-UCP are needed for junction box installation. Attach cross bar (supplied) to the junction box with two screws (supplied).
2. Mount track to ceiling or wall. (See Track Mounting Instructions.)



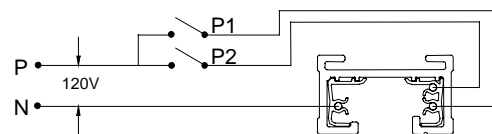
1. Insert live-end into track with arrow on live-end pointing toward polarity groove on track.
2. Remove live-end cover. Route wire through the live-end knock out hole. Secure wire connector to live end connector.
3. Fasten positive wire (hot wire) to gold screw terminal marked "P1". Fasten the second positive wire to the gold screw terminal marked "P2".
4. Fasten neutral wire to silver screw terminal marked "N".
5. Fasten ground wire (may be green or bare wire) from ceiling to green ground screw terminal on live-end.
6. Replace live-end cover and secure with screw.
7. Tighten track to ceiling.



## WIRING OPTIONS



Circuits : 2  
 Switches : 2  
 Maximum Amps: 40 Amps ( 20 Amps/circuit )



Circuits : 1  
 Switches : 2  
 Maximum Amps: 20 Amps

### NOTE : DIMMING

Two circuit track requires grounded neutral type dimmer switches.



W • A • C | LIGHTING

www.waclighting.com

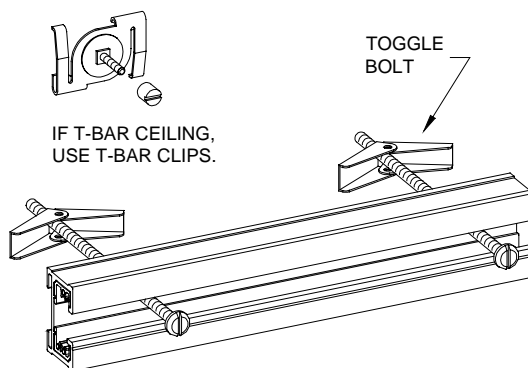
615 South Street, Garden City, NY 11530  
 Tel: (516) 515-5000 Fax: (516) 516-5050

168 Brea Canyon Road, City of Industry, CA 91789  
 Tel: (909) 468-1848 Fax: (909) 468-9958

12/17/02 REV 1

## MOUNTING TRACK

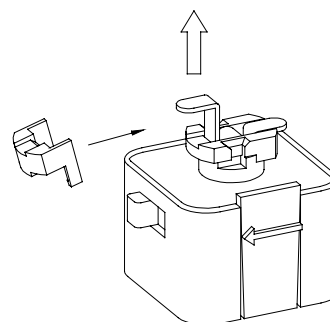
1. Raise track assembly to ceiling. Mark mounting hole locations.
2. Drill holes suitable for the fasteners you intend to use at marked mounting locations. Toggle wings (supplied) require ½ inch holes.
3. Insert toggle wings through holes. Screw bolts (supplied) into toggle wings 2 or 3 turns .
4. Push toggle wings into holes. Do not tighten toggle bolts until all electrical connections are made.



## FIXTURE INSTALLATION

### Circuit no.1 ( lower circuit )

1. Insert fixture into the track.
2. Rotate adapter 90° till arrow points to polarity line on the track.



### Circuit no.2 ( upper circuit )

1. Pull the copper tab marked "P" with a screw driver..
2. Insert the plastic clip supplied under the copper tab marked "P".
3. Insert fixture into the track.
4. Rotate adapter 90° till arrow points to polarity line on the track.

### OTHER TWO CIRCUIT TRACK CONNECTORS AVAILABLE:

J2-BXLE	Live end for straight conduit feed.
J2-I	Connects two track sections in a straight line.
J2-IPWR	"I" straight line power connector.
J2-IDEC	"I" dead end straight connector.
J2-LE	Live end connector.
J2-LLEFT	Left "L" connector, joins two track sections to make a 90° angle.
J2-LRIGHT	Right "L" connector, joins two track sections to make a 90° angle.
J2-T	Joins three track sections.
J2-X	Joins four track sections.
J2-FLX	Connects two tracks at variable angles.
J2-TBLE	Live end connector for installation on T-BAR for a drop ceiling.
J2-UCP	Covers a junction box.

