

## INSTRUCTIONS:

### Line Volt Wall Sconce Models: WS-MR56H

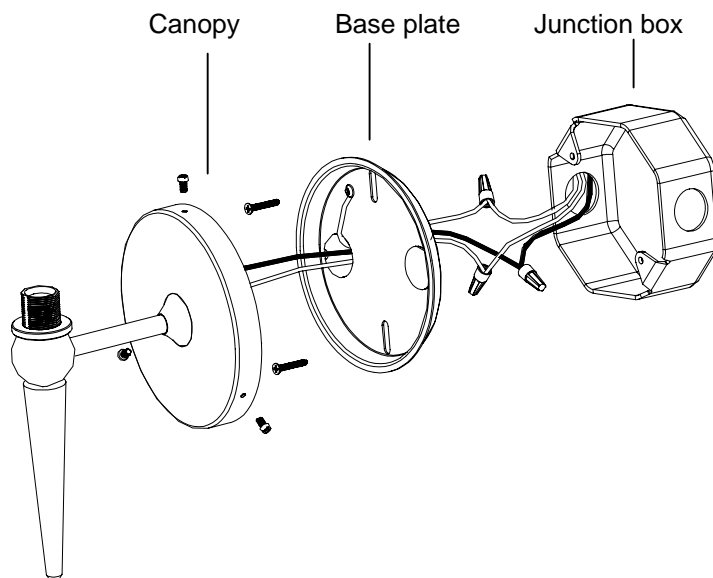
#### CAUTION:

Always turn off power at fuse box prior to installation to prevent electrical shock.  
For installation by a qualified electrician.  
Install over a standard 4 inch junction box.

**Overview:** This 120 volt wall sconce is designed to accept the G515, G516, G518, & G522 series shades. Check catalog for various color choices.

#### Fixture Installation:

1. Loosen the three canopy screws and separate the canopy from the base plate.
2. Remove a knock out from the base plate.
3. Guide the black, white wires from the transformer through the knock out in the base plate.
4. Connect ground wire from junction box to the green grounding wire from the base plate.
5. Connect corresponding wires from the junction box to fixture wires, with wire nuts (supplied).
6. Attach the base plate to the junction box using the slotted holes.
7. Position the canopy to the base plate, and tighten the three screws loosened earlier.



#### Installing Lamp & Shade:

1. Position shade so that threads go through the hole in the shade and screw on the retaining ring from above.
2. Use a G16-1/2 lamp with a candelabra base (supplied).
3. Screw clockwise to install.

Retain instructions for future reference.

