

INSTRUCTIONS:

Low Volt Wall Sconce Models: WS-54

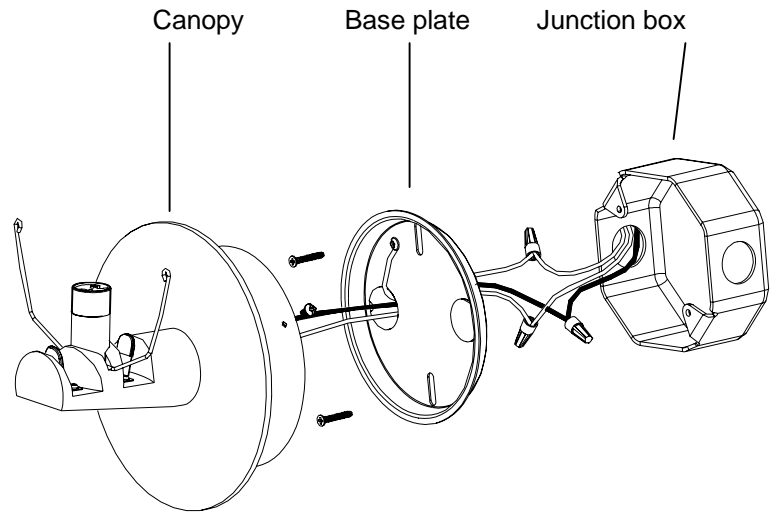
CAUTION:

Always turn off power at fuse box prior to installation to prevent electrical shock.
For installation by a qualified electrician.
Install over a standard 4 inch junction box.
All wires must be contained in the junction box.

Overview: Wall sconces are designed to use the G513 glass shade. Canopies come with self-contained electronic transformers that can generally be used with standard incandescent dimmer switches.

Fixture Installation:

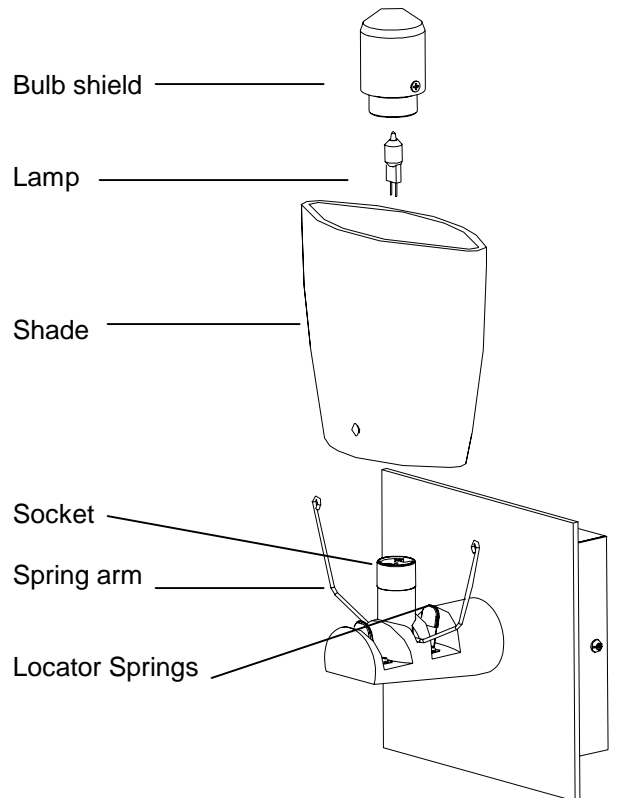
1. Loosen the three canopy screws and separate the canopy from the base plate.
2. Remove a knock out from the base plate.
3. Support canopy and guide the black and white wires and from the transformer through the knock out in the base plate and into the Junction box.
4. Connect ground wire from junction box to the green grounding wire from the base plate.
5. Connect corresponding line volt wires from the junction box to transformer wires, with wire nuts (supplied). Tuck excess wire into the junction box.
6. Attach the base plate to the junction box using the slotted holes.
7. Position the canopy to the base plate, and tighten the three screws loosened earlier.



Installing Lamp & Shade:

1. Use 12V 50W bi-pin Halogen lamp with G6.35 base (supplied).
2. Insert the lamp into the fixture by aligning the pins with the socket holes, and gently pushing until lamp seats.
3. Screw on the bulb shield.
4. Slightly compress the spring arms and gently lower the shade over them.
5. Make sure that the locator springs engage the holes in the shade.

Retain instructions for future reference.



W • A • C | LIGHTING

www.waclighting.com

615 South Street, Garden City, NY 11530
Tel: (516) 515-5000 Fax: (516) 516-5050

168 Brea Canyon Road, City of Industry, CA 91789
Tel: (909) 468-1848 Fax: (909) 468-9958

9/19/03 REV 1